

Please read and save these instructions. Read carefully before attempting to assemble, install, operate or maintain the product described. Protect yourself and others by observing all safety information. Failure to comply with instructions could result in personal injury and/or property damage! Retain instructions for future reference.



Wire Feed Arc Welder



Description

The Campbell Hausfeld WG2020 is a 70 amp, single phase 115 volt input, wire feed arc welding machine equipped with infinite wire speed control to accurately select proper wire feed rate needed for various welding conditions. Internal components are thermostatically protected.

This welding system is designed for use with the Flux Core Arc Welding (FCAW) or the Gas Metal Arc Welding (GMAW) process. As delivered from the factory, this welder can weld with .024" (.6mm) to .035" (.9mm) diameter wire. A starter spool of flux-cored wire is included.

Unpacking

All welding accessories for the welder are inside the wire feed compartment. Lift and remove wire feed cover to find handle, workclamp, etc. When unpacking, inspect carefully for any damage that may have occurred during transit. Make sure any loose fittings and screws, etc. are tightened before putting unit into service.

CIRCUIT REQUIREMENTS

CAUTION This equipment requires a dedicated 115 volt circuit. Refer to the following chart for correct circuit breaker or fuse rating. Do not run other appliances, lights or tools on this circuit while operating this equipment. Extension cords are not recommended. Blown fuses and tripped circuit breakers can result from failure to comply with this recommendation.

Heat Selector	Circuit Breaker or Slow Blow Fuse
Low	15 amp
High	20 amp

See page 7 for supply cable replacement instructions.

COMPONENTS AND CONTROLS

1. Work Clamp - connect to work piece.
2. Wire Feed Gun
3. Power Cord - plug into 115 volt outlet.
4. On/Off Switch - illuminates if thermostat has automatically shut unit off.
5. Infinite Wire Speed Control - turns clockwise to increase wire speed and counterclockwise to decrease wire speed.
6. Heat Selector - Selects welding power. Four selections are possible; low 1, low 2, high 1 and high 2.

General Safety

DANGER Danger means a hazard that will cause death or serious injury if the warning is ignored.

WARNING Warning means a hazard that could cause death or serious injury if the warning is ignored.

CAUTION Caution means a hazard that may cause minor or moderate injury if the warning is ignored. It also may mean a hazard that will only cause damage to property.

NOTE: Note means any additional information pertaining to the product or its proper usage.

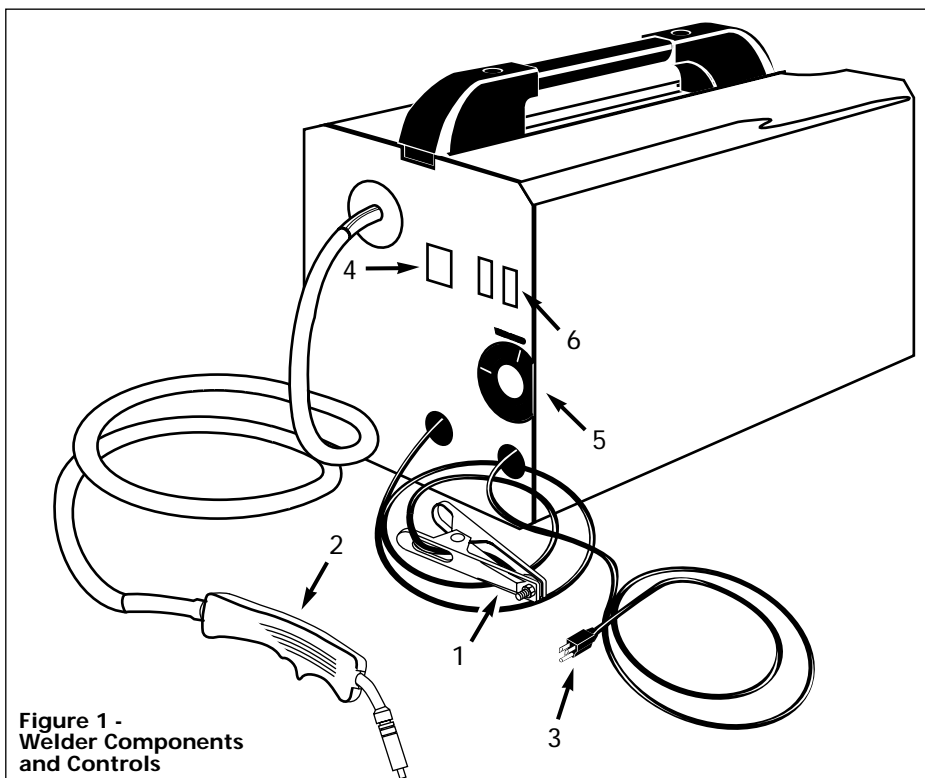


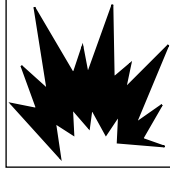
Figure 1 - Welder Components and Controls

Wire Feed Arc Welder

General Safety (Continued)

⚠ WARNING

Always keep a fire extinguisher accessible while performing arc welding operations.



- Before starting or servicing any electric arc welder, read and understand all instructions. Failure to follow safety precautions or instructions can cause equipment damage and/or serious personal injury or death.
- All installation, maintenance, repair and operation of this equipment should be performed by qualified persons only in accordance with national, state, and local codes.



⚠ WARNING

Improper use of electric arc welders can cause electric shock, injury, and death! Take all precautions described in this manual to reduce the possibility of electric shock.



- Verify all components of the arc welder are clean and in good condition prior to operating welder. Be sure insulation on all cables, wire feed gun and power cord is not damaged. Always repair or replace damaged components before operating the welder. Always keep welder panels, shields, etc. in place when operating welder.
- Always wear dry, protective clothing, welding gloves and insulated footwear when operating unit.
- Always operate welder in a clean, dry, well ventilated area. Do not operate welder in humid, wet, rainy or poorly ventilated areas.
- Be sure work piece is properly supported and grounded prior to beginning any electric arc welding operation.
- Spread out coiled welding cable

before use to avoid overheating and damage to insulation.

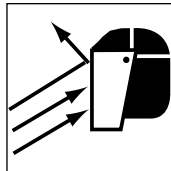
⚠ DANGER

Never immerse wire or wire feed gun in water. If welder becomes wet for any reason, be absolutely certain it is completely clean and dry before use!

- Always shut equipment off and unplug power cord prior to moving the unit.
- Always attach the work lead first.
- Verify work piece is securely grounded.
- Always shut off electric arc welding equipment when not in use and cut off any excess wire from wire feed gun.
- Never allow any part of the body to touch flux core wire and ground or grounded work piece at the same time.
- Awkward welding conditions and positions can be electrically hazardous. When crouching, kneeling or at elevations, be sure to insulate all conductive parts, wear appropriate protective clothing and take precautions to prevent injury from falls.
- Never attempt to use this equipment at current settings or duty cycles higher than specified on equipment labels.
- Never use an electric arc welder to thaw frozen pipes.

⚠ WARNING

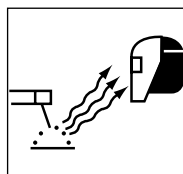
Flying sparks and hot metal can cause injury. As welds cool, slag can be thrown off. Take all precautions described in this manual to reduce the possibility of injury from flying sparks and hot metal.



- Wear ANSI approved face shield or safety glasses with side shield protection when chipping or grinding metal parts.
- Wear ear plugs when welding overhead to prevent spatter or slag from falling into ears.

⚠ WARNING

Electric arc welding operations produce intense light and heat and ultraviolet (UV) rays. This intense light



and UV rays can cause injury to eyes and skin. Take all precautions described in this manual to reduce the possibility of injury to eyes and skin.

- All persons operating this equipment or in the area while equipment is in use, must wear protective welding gear including: welding helmet or shield with at least shade 10 lens, flame resistant clothing, leather welding gloves and full foot protection.

⚠ CAUTION

The welding wire is live whenever the welder is turned on - whether the trigger is pulled or not.

⚠ WARNING

Never look at arc welding operations without eye protection as described above. Never use a shade filter lens that is cracked, broken, or rated below number 10. Warn others in the area not to look at the arc.

⚠ WARNING

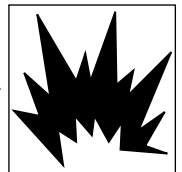
Electric arc welding operations cause sparks and heat metal to temperatures that can cause severe burns! Use protective gloves and clothing when performing any metal working operation. Take all precautions described in this manual to reduce the possibility of skin and clothing burns.



- Make sure all persons in welding area are protected from heat, sparks and ultraviolet rays. Use additional face shields and flame resistant barriers as needed.
- Never touch work pieces until completely cooled.

⚠ WARNING

Heat and sparks produced during electric arc welding and other metal working operations can ignite flammable and explosive materials! Take all precautions described in this manual to reduce the possibility of flames and explosions.



- Remove all flammable materials within 35 feet (10.7 meters) of welding arc. If removal is not possible, tightly cover flammable materials with fire proof covers.
- Do not operate any electric arc

General Safety (Continued)

welder in areas where flammable or explosive vapors may be present.

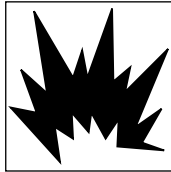
- Take precautions to ensure flying sparks and heat do not cause flames in hidden areas, cracks, etc.

▲WARNING *Fire hazard! Do not weld on containers or pipes that contain or have contained flammable materials or gaseous or liquid combustibles.*

▲WARNING

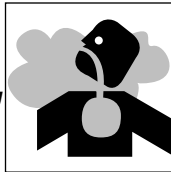
Arc welding closed cylinders or containers such as tanks or drums can cause explosion if not properly vented!

Verify that any cylinder or container to be welded has an adequate ventilation hole, so that expanding gases can be released.



▲WARNING

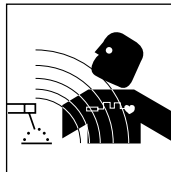
Do not breathe fumes produced by arc welding operation. These fumes are dangerous. If welding area cannot be adequately ventilated, be sure to use an air-supplied respirator.



- Keep head and face out of welding fumes.
- Extremely toxic fumes are created when galvanized or cadmium plated metals or metals which contain zinc, mercury or beryllium are heated. Complete the following precautions before performing electric arc welding operations on these metals:
 - a. Remove coating from base metal.
 - b. Make sure welding area is well ventilated.
 - c. Use an air-supplied respirator.

▲WARNING

The electromagnetic field generated during arc welding may interfere with the operation of various electrical and electronic devices such as cardiac pacemakers. Persons using such devices should consult with their physician prior to performing any electric arc welding operations.

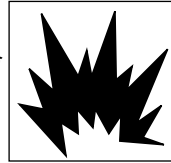


- Route wire gun and work cables together and secure with tape when possible.
- Never wrap arc welder cables around the body.
- Always position wire gun and work leads on the same side of the body.
- Exposure to electromagnetic fields during welding may have other health effects which are not known.

▲WARNING *Always be sure welding area is secure and free of hazards (sparks, flames, glowing metal or slag) prior to leaving. Be sure equipment is turned off and excess wire is cut off. Be sure cables are loosely coiled and out of the way. Be sure all metal and slag has cooled.*

▲DANGER

Cylinders can explode if damaged. Shielding gas cylinders contain gas under high pressure. If damaged, a cylinder can explode. Since gas cylinders are normally part of the welding process, be sure to treat them carefully.



- Protect compressed gas cylinders from excessive heat, mechanical shocks and arcs.
- Install and secure cylinders in an upright position by chaining them to stationary support or equipment cylinder rack to prevent falling or tipping.
- Keep cylinders away from any welding or other electrical circuits.
- Never allow a welding electrode to touch any cylinder.
- Use only correct shielding gas cylinders, regulators, hoses and fittings designed for the specific application; maintain all parts properly.
- Turn face away from valve outlet when opening cylinder valve.
- Keep protective cap in place over valve except when cylinder is in use or connected for use.
- Read and follow instructions on compressed gas cylinders, associated equipment, and CGA



publication P-1 listed in Safety Standards.

▲DANGER *Never use flammable gases with MIG welders. Only inert or non-flammable gasses such as carbon dioxide, argon, helium or mixtures of one or more of these gasses are suitable for MIG welding.*

▲WARNING *Never lift cylinders off the ground by their valves or caps or with chains or slings.*

ADDITIONAL SAFETY STANDARDS

ANSI Standard Z49.1 from American Welding Society, 550 N.W. Le June Rd. Miami, FL 33126

Safety and Health Standards

OSHA 29 CFR 1910, from Superintendent of Documents, U.S. Government Printing Office, Washington, D.C. 20402

National Electrical Code

NFPA Standard 70, from National Fire Protection Association, Batterymarch Park, Quincy, MA 02269

Safe Handling of Compressed Gases in Cylinders

CGA Pamphlet P-1, from Compressed Gas Association, 1235 Jefferson Davis Highway, Suite 501, Arlington, VA 22202

Code for Safety in Welding and Cutting

CSA Standard W117.2, from Canadian Standards Association, Standards Sales, 178 Rexdale Boulevard, Rexdale, Ontario, Canada M9W 1R3

Cutting And Welding Processes

NFPA Standard 51B, from National Fire Protection Association, Batterymarch Park, Quincy, MA 02269

Safe Practices For Occupational And Educational Eye And Face Protection

ANSI Standard Z87.1, from American National Standards Institute, 1430 Broadway, New York, NY 10018

Refer to Material Safety Data Sheets and manufacturers instructions for metals, wire, coatings and cleaners.

Wire Feed Arc Welder

Installation

LOCATION

Selecting the proper location can significantly increase performance, reliability and life of the arc welder.

- For best results locate welder in a clean and dry environment. Dust and dirt in the welder retain moisture and increase wear of moving parts.
- Place welder in an area with at least twelve inches (305 mm) of ventilation space at both the front and rear of unit. Keep all obstructions out of this ventilation space.
- Store flux core wire in a clean, dry location with low humidity to preserve the flux coating.
- Use a properly grounded receptacle for the welder and ensure welder is the only load on power supply circuit. Refer chart on page 1 for correct circuit capacity.
- Use of an extension cord is not recommended for electric arc welding machines. Voltage drop in the extension cord may significantly degrade performance of the welder.

Assembly

All welding accessories for the welder are inside wire feed compartment. Lift and remove wire feed cover to find handle, work clamp, etc.

HANDLE AND BASE ASSEMBLY

1. Slide handle into plastic ends as shown (Fig. 2).
2. Place handle assembly on welder aligning two holes in plastic ends with threaded holes in welder housing.
3. Use washers and fasten screws through handle ends and into cabinet.
4. Attach cylinder base to unit as shown (Fig. 2).

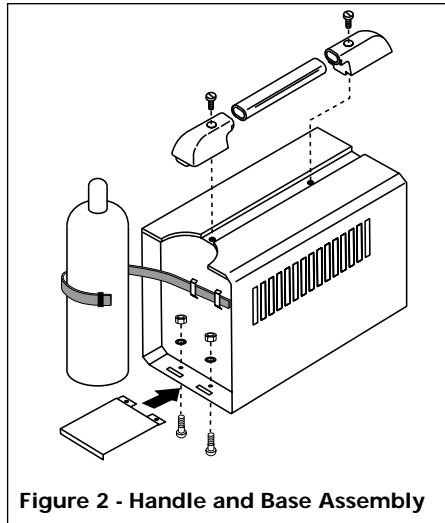


Figure 2 - Handle and Base Assembly

WORK CLAMP

1. Loosen hex bolt on work clamp.
2. Insert cord (labeled work on the front panel of the welder) through clamp handle and slide bare wire under the clamp block. Tighten hex bolt making sure bare wire is clamped securely (Figure 3).

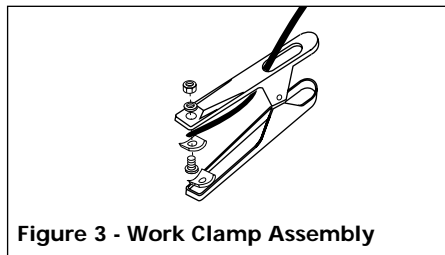


Figure 3 - Work Clamp Assembly

WIRE INSTALLATION

⚠ WARNING *Welding power may be applied to output terminals, feed roll, work clamp, gun cable connection and welding wire even when gun switch is not activated. Do not touch these parts when welding machine is on.*

NOTE: Before installing welding wire, be sure:

- a. The diameter of welding wire matches the groove in drive roller on wire feed mechanism.
- b. The wire is compatible with the diameter line in gun hose.
- c. The wire matches tip in end of gun.

A mismatch on any item could cause the wire to slip and bind.

1. Verify unit is off and lift welder panel to expose wire feed mechanism.
2. Remove the spool quick lock by pushing in and rotating 1/4 turn counterclockwise. Then remove knob, spring and spool spacer.
3. Loosen wire feed tensioning screw on drive mechanism. This allows initial feeding of wire into gun liner by hand.
4. Install wire spool onto spindle so wire can come off spool on the end closest to the wire feed guide tube.
Do not cut the wire loose yet. Install spool spacer, spring and quick lock knob by pushing in and turning knob 1/4 rotation clockwise.
5. Hold wire and cut the wire end from spool. Do not allow wire to unravel. Be sure end of wire is straight and free of burrs.
6. Feed wire through wire feed guide tube, over the groove in drive roll and into gun liner. Snugly tighten wire feed tensioning screw. Do not over tighten. Install outer welder panel.
7. Remove nozzle by turning clockwise while pulling off, then unscrew contact tip from end of welding torch (See Figure 5). Plug welder into a proper power supply receptacle.
8. Turn on welder and set wire speed rate to 5. Activate gun switch until wire feeds out past the torch end.
Turn welder off.

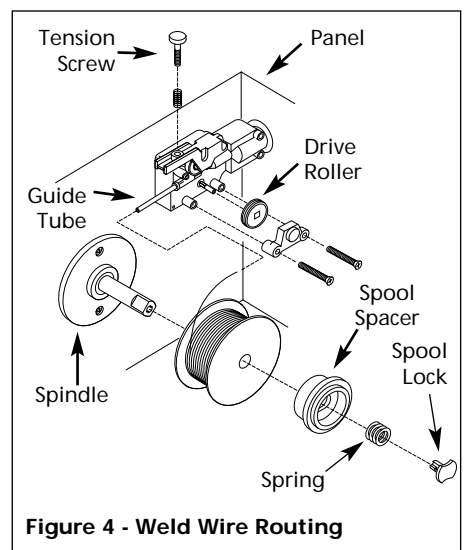


Figure 4 - Weld Wire Routing

Assembly (Continued)

- Carefully slip contact tip over wire and screw tip into torch end. Install nozzle by twisting clockwise while pushing onto torch (See Figure 5). Cut wire off approximately 1/4 inch from nozzle end.

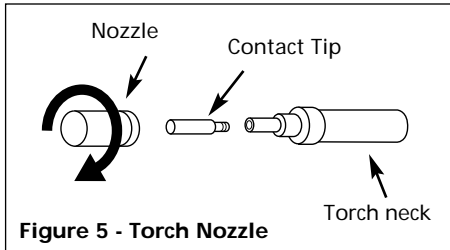


Figure 5 - Torch Nozzle

Contact Tip Markings

Mark	Wire Size
0.6 mm	.024"
0.8 mm	.030"
0.9 mm	.035"

DUTY CYCLE / THERMOSTATIC PROTECTION

Welder duty cycle is the percentage of actual weld time that can occur in a ten minute interval. For example, at a 10% duty cycle, actual welding can occur for one minute, then the welder must cool for nine minutes.

Internal components of this welder are protected from overheating with an automatic thermal switch. **A yellow lamp is illuminated on the front panel (on/off switch) if the duty cycle is exceeded.** Welding operations may continue when the yellow lamp is no longer illuminated.

POLARITY

To change between flux wire and MIG wire the polarity must be changed.

- Remove the wire feed door.
- Locate red (+) and black (-) polarity connectors just below wire feed mechanism (See Figure 6).
- For MIG welding with gas,** Connect torch cable from wire feed mechanism to red (+) polarity connector then connect work cable to black (-) connector.

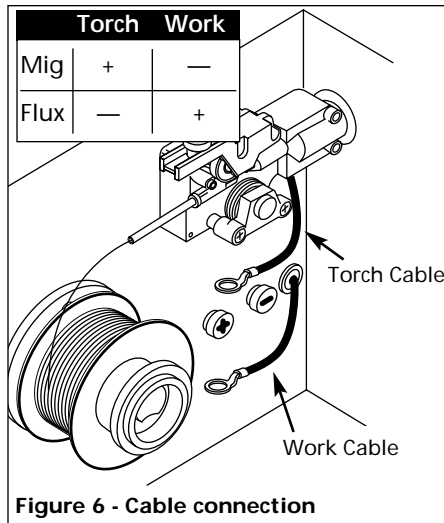


Figure 6 - Cable connection

- For flux-core welding,** connect torch cable from wire feed mechanism to black (-) polarity connector then connect work cable to red (+) connector.

Shielding Gas Preparation

⚠ DANGER *Improper handling and maintenance of compressed gas cylinders and regulators can result in serious injury or death! Always secure gas cylinders to tank bracket kit, a wall or other fixed support to prevent cylinder from falling over. Read, understand and follow all compressed gas and equipment warnings in the safety instructions.*

NOTE: Shielding gas is not required if flux-cored welding wire is used.

GAS TYPES

There are 3 types of gas generally used for gas metal arc welding; 100% argon,

a mixture of 75% argon and 25% carbon dioxide (C25) or 100% carbon dioxide. The 75/25 mixture is recommended for general steel welding. For aluminum welding, use 100% argon. Cylinders of either type gas may be obtained at your local welding supply outlet. Secure cylinder in place on your welding machine or other support to prevent the cylinder from falling over.

REGULATOR

The regulator provides a constant shielding gas pressure and flow rate during the welding process. Each regulator is designed to be used with a specific gas or mixture of gases. The argon and argon mixture use the same thread type. The 100% carbon dioxide uses a different thread type. An adapter is available at your local welding gas supplier to change between the two.

HOOKUP PROCEDURE

⚠ WARNING

Cylinder gas is under high pressure. Point cylinder outlet away from yourself and any bystanders before opening.



- With cylinder securely installed, stand on side of cylinder opposite cylinder outlet then remove cylinder cap and open valve slightly by turning counterclockwise. When gas is emitted from cylinder, close valve by turning clockwise. This will blow out

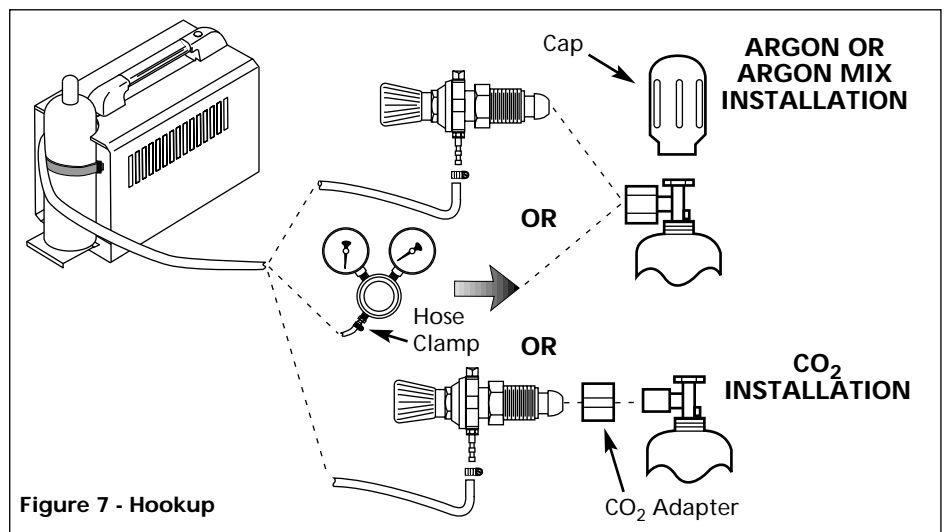


Figure 7 - Hookup

Wire Feed Arc Welder

Assembly (Continued)

Shielding Gas Preparation

HOOKUP PROCEDURE (Continued)

- dust or dirt that may have accumulated around valve seat.
2. Install regulator onto cylinder valve with face of gauges in the vertical position. Tighten stem nut securely to gas valve.
 3. Install one end of gas hose to fitting on the rear of welder and other end of hose to fitting on regulator using hose clamps on each connection. Make sure gas hose is not kinked or twisted.
 4. While standing opposite cylinder outlet, slowly open cylinder valve. Inspect for leaks in the connections.
 5. Pull trigger on gun to allow gas to flow. Adjust gas regulator to maximum flow. Release trigger.
 6. Remember to close gas valve when finished welding.

CAUTION *The welding wire is live whenever the welder is turned on - whether the trigger is pulled or not.*

Operation

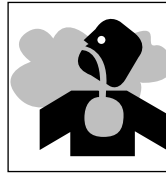
1. Be sure to read, understand and comply with all precautions in the General Safety Information section. Be sure to read entire "Welding Guidelines" section before using this equipment.
2. Turn welder off.
3. Verify surfaces of metals to be joined are free from dirt, rust, paint, oil, scale or other contaminants. These contaminants make welding difficult and cause poor welds.



WARNING *All persons operating this equipment or in the area while equipment is in use must wear protective welding gear including: eye protection with proper shade, flame resistant clothing, leather welding gloves and full foot protection.*

WARNING

If heating, welding or cutting galvanized, zinc plated, lead, or cadmium plated materials, refer to the General Safety Information Section for instructions. Extremely toxic fumes are created when these metals are heated.



4. Connect work clamp to work piece or workbench (if metal). Make sure contact is secure. Avoid surfaces with paint, varnish, corrosion or non-metallic materials.
5. Position Heat Selector on front panel to desired setting.

NOTE: These settings are general guidelines only. Heat setting may vary according to welding conditions and materials.

Metal Thickness	Heat Setting
14 - 24 Gauge	Low

- | | |
|-----------------------|------|
| Thicker Than 14 Gauge | High |
|-----------------------|------|
6. Rotate Wire Speed Control to setting number 5 to start then adjust as needed after test weld.
 7. Plug power cord into a proper voltage receptacle with proper circuit capacity (See circuit requirements on front page).
 8. Switch welder ON/OFF switch to ON position.
 9. Verify wire is extended 1/4" from contact tip. If not, squeeze trigger to feed additional wire, release trigger and cut wire to proper length.
 10. Position wire feed gun near work piece, lower welding helmet by nodding head or position the hand shield, and squeeze gun trigger. Adjust heat setting and wire speed as needed.
 11. When finished welding, turn welder off and store properly.

Maintenance

WARNING *Disconnect power supply and turn machine off before inspecting or servicing any components. Keep wire compartment cover closed at all times unless wire needs to be changed.*

BEFORE EVERY USE:

1. Check condition of weld cables and immediately repair or replace any cables with damaged insulation.
2. Check condition of power cord and immediately repair or replace any cord if damaged.
3. Inspect the condition of the gun tip and nozzle. Remove any weld slag. Replace gun tip or nozzle if damaged.

WARNING *Do not operate this welding machine with cracked or missing insulation on welding cables, wire feed gun or power cord.*

EVERY 3 MONTHS:

1. Replace any unreadable safety labels on the welder.
2. Use compressed air to blow all dust and lint from ventilation openings.
3. Clean wire groove on drive roll. Remove wire from feed mechanism, remove screws from drive roll housing. Use a small wire brush to clean drive roll. Replace if worn or damaged

Consumable and Wear Parts

The following parts require routine maintenance:

- Wire feed drive roller
- Gun liner - replace if worn
- Nozzle/contact tips
- Wire - This welder will accept either 4" or 8" diameter spools. Flux-cored welding wire is susceptible to moisture and oxidizes over time, so it is important to select a spool size that will be used within approximately 6 months. For mild steel welding, AWS ER70S6 solid wire or AWS E71T-GS Flux-core wire is recommended.

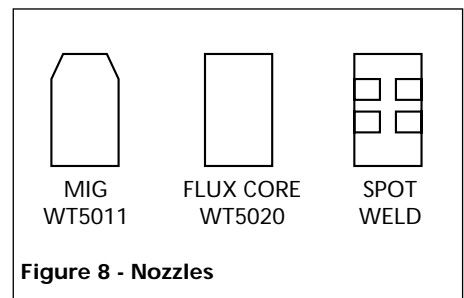


Figure 8 - Nozzles

Maintenance (Con't.)

CHANGING WIRE SIZES

This welder is setup for .035 (.9mm) wire. If a different wire size is used, the wire feed drive roll and contact tip may need changing. There are two grooves in the drive roll. The small groove is for .023 (.6mm) wire and the other is for .030-.035 (.8-.9mm) wire. Remove the roller cover and flip the drive roll to choose the correct groove (See parts breakdown). The contact tip should also match the wire diameter used. The tip diameter is marked on the contact tip in inches or millimeters. For aluminum wire, oversize contact tip one size (Ex. - Use .035" tip for .030" diameter wire).

Supply Cable Replacement

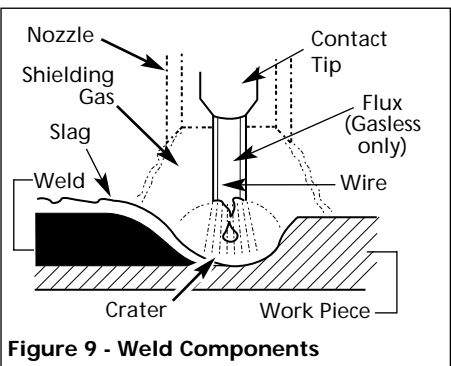
1. Verify that welder is OFF and power cord disconnected.
2. Remove welder cover to expose the ON/OFF switch.
3. Disconnect the black and white power cord wires connected to the ON/OFF switch.
4. Disconnect the green power cord wire connected to welder frame.
5. Loosen the cord strain relief screw(s) and pull cord out of strain relief.
6. Install new cord in reverse order.

Welding Guidelines

General

This line of welding machines can utilize the Flux Cored Arc Welding (Gasless) process or the Gas Metal Arc Welding (MIG) process. The weld must be protected (shielded) from contaminants in the air while it is molten. The gasless process uses a tubular wire with a flux material inside. The flux creates a shielding gas when melted. The MIG process uses inert gas to shield the weld while molten.

When current is produced by a transformer (welding machine) and flows through the circuit to the weld wire, an arc is formed between the end of the



weld wire and the work piece. This arc melts the wire and the work piece. The melted metal of the weld wire flows into the molten crater and forms a bond with the work piece as shown (Figure 9).

Arc Welding Basics

Five basic techniques affect weld quality. These are: wire selection, heat setting, weld angle, wire speed, and travel speed. An understanding of these techniques is necessary for effective welds.

HEAT SETTING

The correct heat involves the adjustment of the welding machine to the required setting. Heat or voltage is regulated by a switch on the welder. The heat setting used depends on the size (diameter) and type of wire, position of the weld, and the thickness of the work piece. Consult specifications listed on the welder. It is suggested that the welder practice with scrap metal to adjust settings, and compare welds with Figure 11.

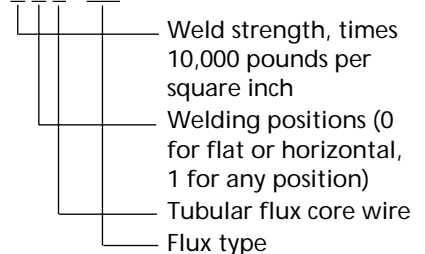
WIRE TYPE AND SIZE

The correct choice of wire type involves a variety of factors, such as welding

position, work piece material type, thickness, and condition of surface to be welded. The American Welding Society, AWS, has set up certain requirements for each type of wire.

FLUX-CORED WIRE

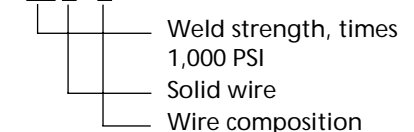
E - 7 0 T - GS



AWS E71T-GS or E71T-11 is recommended for this welder.

SOLID WIRE

ER - 70 S - 6



ER-70S6 is recommended for this welder.

Wire Feed Arc Welder

Welding Guidelines (Continued)

WELD ANGLE

Weld angle is the angle at which the nozzle is held during the welding process. Using the correct angle ensures proper penetration and bead formation. As different welding positions and weld joints become necessary, nozzle angle becomes an increasingly important factor in obtaining a satisfactory weld. Weld angle involves two positions - travel angle and work angle. Travel angle is the angle in the line of welding and may vary from 5° to 45° from the vertical, depending on welding conditions.

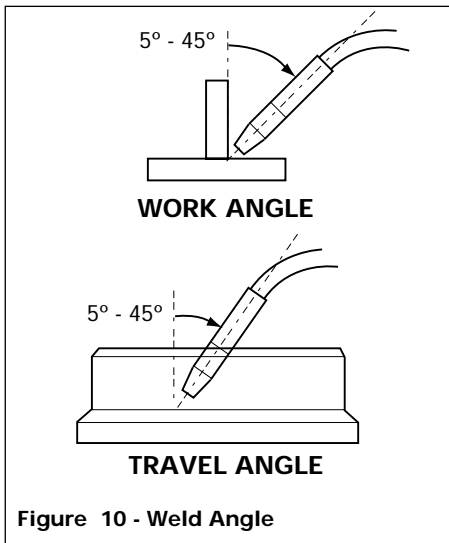


Figure 10 - Weld Angle

Work angle is the angle from horizontal, measured at right angles to the line of welding. For most applications, a 45° travel angle and 45° work angle is sufficient. For specific applications, consult an arc welding handbook.

WIRE SPEED

The wire speed is controlled by the knob on the front panel. The speed needs to be “tuned” to the rate at which the wire is being melted in the arc. Tuning is one of the most critical functions in wire feed welding. Tuning should be performed on a scrap piece of metal the same type and thickness as that to be welded. Begin welding with one hand “dragging” the gun nozzle across the scrap piece while adjusting the wire speed with the other hand. Too slow of speed will cause sputtering and the wire will burn up into the contact tip. Too fast a speed will also cause a sputtering sound and the wire will push into the plate before melting. A smooth buzzing sound indicates the wire speed is properly tuned. Repeat the tuning procedure each time there is a change in heat setting, wire diameter or type, or work piece material type or thickness.

TRAVEL SPEED

The travel speed is the rate at which the torch is moved across the weld area. Factors such as diameter and type of weld wire, amperage, position, and work piece material thickness all effect the speed of travel necessary for completing a good weld (See Fig. 11). When the speed is too fast, the bead is narrow and bead ripples are pointed as shown. When the speed is too slow, the weld metal piles up and the bead is high and wide.

SLAG REMOVAL (FLUX-CORED WIRE ONLY)

⚠ WARNING *Wear ANSI approved safety glasses (ANSI Standard Z87.1) and protective clothing when removing slag. Hot, flying debris can cause personal injury to anyone in the area.*

After completing the weld, wait for the welded sections to cool. A protective coating called slag now covers the weld bead which prevents contaminants in the air from reacting with the molten metal. Once the weld cools to the point that it is no longer glowing red, the slag can be removed. Removal is done with a chipping hammer. Lightly tap the slag with the hammer and break it loose from the weld bead. The final clean-up is done with a wire brush. When making multiple weld passes, remove the slag before each pass.

WELDING POSITIONS

Four basic welding positions can be used; flat, horizontal, vertical, and overhead. Welding in the flat position is easier than any of the others because welding speed can be increased, the molten metal has less tendency to run, better penetration can be achieved, and the work is less fatiguing. Welding is performed with the wire at a 45° travel angle and 45° work angle.

Other positions require different techniques such as a weaving pass, circular pass, and jogging. A higher skill level is required to complete these welds.

Overhead welding is the least desirable position as it is the most difficult and dangerous. Heat setting and wire selection will vary depending upon the position.

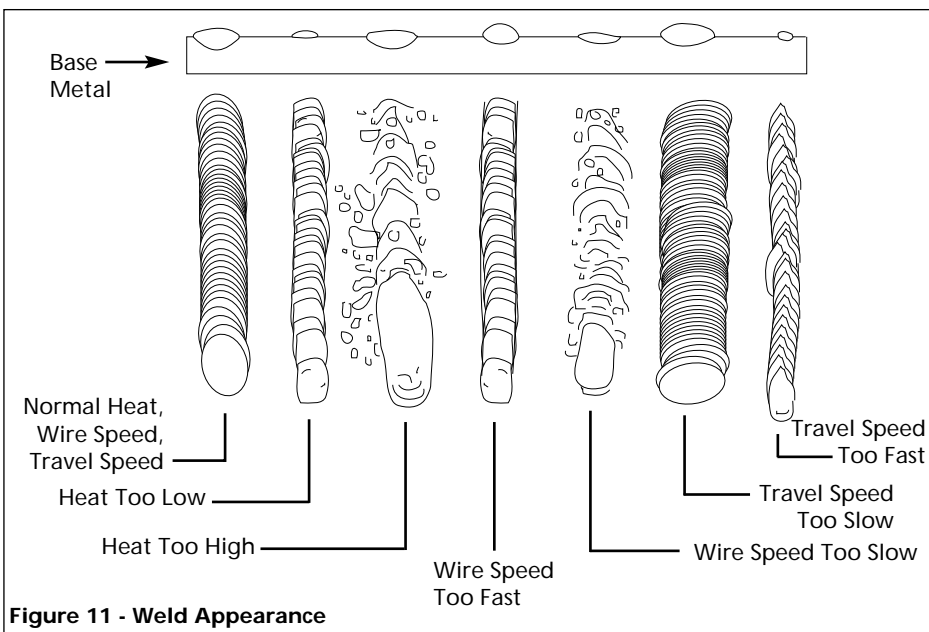


Figure 11 - Weld Appearance

Welding Guidelines (Continued)

All work should be performed in the flat position if possible. For specific applications, consult an arc welding technical manual.

WELD PASSES

Sometimes more than one pass is necessary to fill the joint. The root pass is first, followed by filler passes and the cover pass. If the pieces are thick, it may be necessary to bevel the edges that are joined at a 60° angle. Remember to remove the slag before each pass for gasless process.

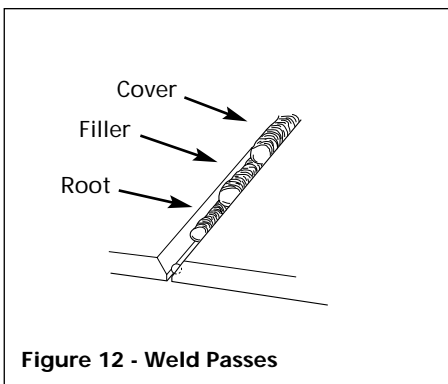


Figure 12 - Weld Passes

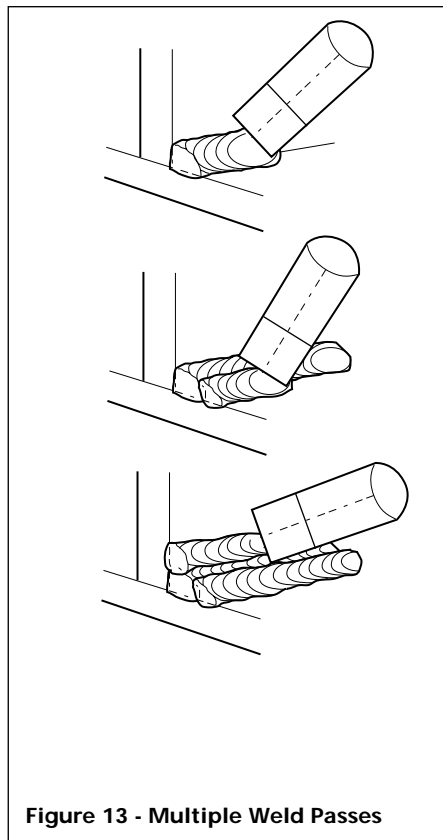


Figure 13 - Multiple Weld Passes

PUSH VS PULL TECHNIQUE

The type and thickness of the work piece dictates which way to point the gun nozzle. For thin materials (18 gauge and up) and all aluminum, the nozzle should point out in front of the weld puddle and **push** the puddle across the workpiece. For thicker steel, the nozzle should point into the puddle to increase weld penetration. This is called backhand or **pull** technique (See Figure 14).

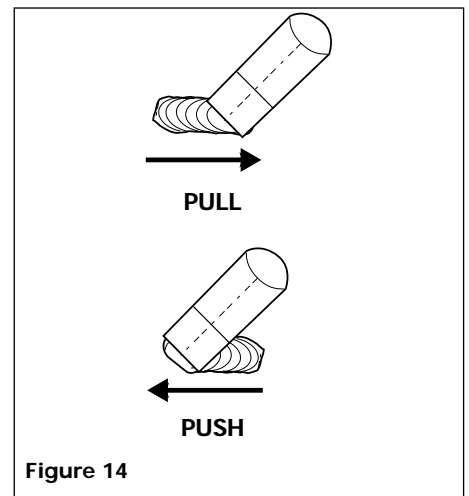


Figure 14

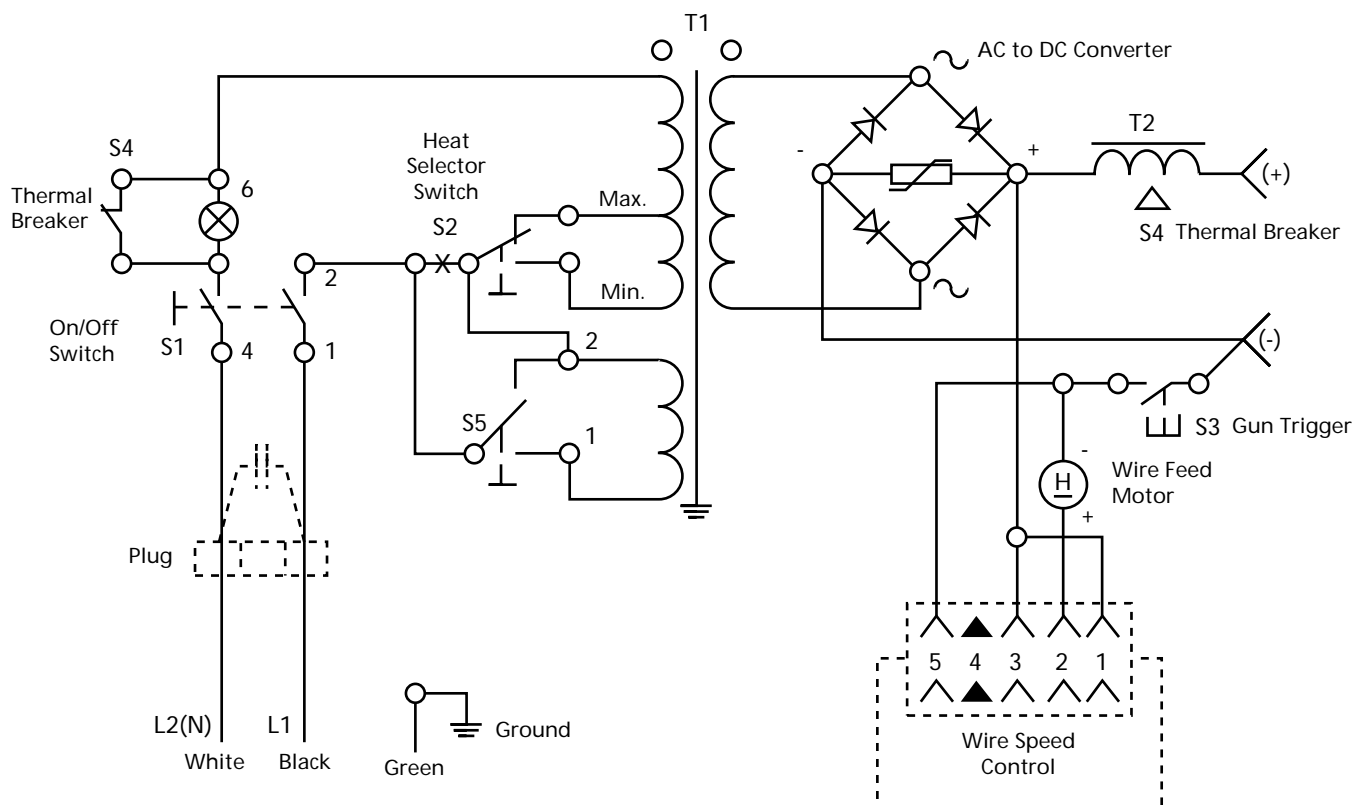


Figure 15 - Wiring Schematic

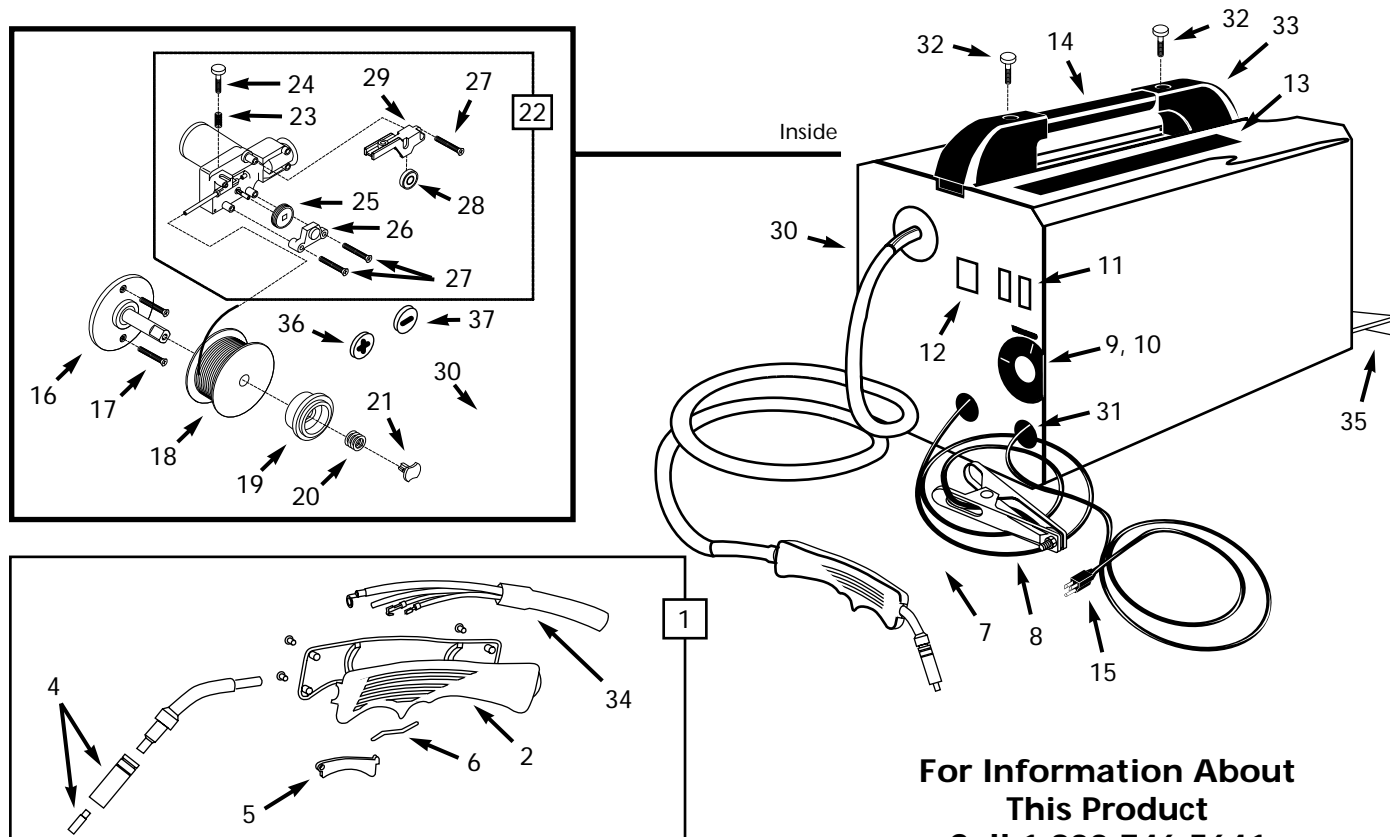
For Information About This Product Call 1-800-746-5641

Troubleshooting Chart - Welder

Symptom	Possible Cause(s)	Corrective Action
No output	<ol style="list-style-type: none"> 1. Duty cycle exceeded 2. Poor work clamp connection 3. Defective ON/OFF switch 4. Blown breaker or fuse 	<ol style="list-style-type: none"> 1. Allow welder to cool until ON/OFF Switch lamp goes out 2. Be sure all connections are secure, and attaching surface is clean 3. Replace switch 4. Reduce circuit load, reset breaker or replace fuse
Wire tangles at drive roller	<ol style="list-style-type: none"> 1. Wrong size gun tip 2. Gun liner clogged or damaged 3. Gun tip clogged or damaged 4. Feed roller worn 5. Not enough tension 	<ol style="list-style-type: none"> 1. Use proper size gun tip 2. Clean or replace gun liner 3. Clean or replace gun tip 4. Replace 5. Tighten tensioning screw
Gun nozzle arcs to work surface	Slag inside gun nozzle	Clean slag from gun nozzle
Work clamp and/or cable gets hot	Poor contact	Be sure all connections are secure, and attaching surface is clean
Wire does not feed	<ol style="list-style-type: none"> 1. Wire jammed 2. Out of wire 3. Not enough tension 4. Wire liner worn 5. Fuse blown 	<ol style="list-style-type: none"> 1. Reload wire 2. Replace wire spool 3. Tighten tensioning screws if wire is slipping 4. Replace liner 5. Replace fuse on wire feed control board inside welder (1.6 amp)

Troubleshooting Chart - Welds

Symptom	Possible Cause(s)	Corrective Action
Bead is intermittently too thin	<ol style="list-style-type: none"> 1. Inconsistent travel speed 2. Output heat setting too low 	<ol style="list-style-type: none"> 1. Decrease and maintain constant travel speed 2. Increase output heat setting
Bead is intermittently too thick	<ol style="list-style-type: none"> 1. Slow and/or inconsistent travel speed 2. Output heat setting too high 	<ol style="list-style-type: none"> 1. Increase and maintain travel speed 2. Reduce output heat setting
Ragged depressions at edge of weld	<ol style="list-style-type: none"> 1. Travel speed too fast 2. Wire speed too fast 3. Output heat setting too high 	<ol style="list-style-type: none"> 1. Decrease travel speed 2. Decrease wire speed 3. Reduce output heat setting
Weld bead does not penetrate base metal	<ol style="list-style-type: none"> 1. Inconsistent travel speed 2. Output heat setting too low 	<ol style="list-style-type: none"> 1. Decrease and maintain constant travel speed 2. Increase output heat setting
Wire sputters and sticks	<ol style="list-style-type: none"> 1. Damp wire 2. Wire speed too fast 	<ol style="list-style-type: none"> 1. Use dry wire and store in dry location 2. Reduce wire speed



**For Information About
This Product
Call 1-800-746-5641**

Figure 16 - Replacement Parts

Ref. No.	Description	Part Number	Qty
1	Torch assembly and hose (includes Nos. 2-6 and 34)	WC600300AV	1
2	Torch body, front and back	WC600201AV	1
3	Hanger clip (not shown)	WC600003AV	1
4	Nozzle/contact tip kit	WT501000AJ	1
5	Trigger knob	WC600202AV	1
6	Torch contact spring	WC600203AV	1
7	Work clamp (Cord not included)	WC100000AV	1
8	Welding cable 6 AWG (6 ft)	*	1
9	Wire speed knob	WC400201AV	1
10	Wire speed switch	WC400200AV	1
11	Heat switch	WC400300AV	2
12	On/off switch	WC400000AV	1
13	Safety decal	DK404000AV	1
14	Handle	WC300100AV	1
15	Power cord 14-3 AWG (6 ft) Type SJT	WC000100AJ	1
16	Spool spindle	WC500300AV	1
17	#10-32 x .5" Pan head sheet metal screw	*	2
18	Wire flux core .035" (.9mm) diameter	WE200500AJ	1

Ref. No.	Description	Part Number	Qty
19	Spool adapter	WC500200AV	1
20	Spool spring	WC500101AV	1
21	Spool locking hub	WC500100AV	1
22	Drive deck assembly (Includes Nos.23-28)	WC500000AV	1
23	Tension spring	WC500003AV	1
24	Tension screw	WC500002AV	1
25	Roller, .6-.9mm (.024-.035 in.)	WC500001AV	1
26	Roller cover	WC500004AV	1
27	#8-36 x 1.5" Pan head screw	*	3
28	Swing arm	WC500005AV	1
29	Swing arm roller	WC500007AV	1
30	Side panel	WC700000AV	1
31	Strain relief	WC102000AV	2
32	M8 x 16mm Machine screw	*	2
33	Handle caps	WC300101AV	2
34	Liner	WC600008AV	1
35	Cylinder base	WC703900AV	1
36	Polarity cap (Red)	WC704000AV	1
37	Polarity cap (Black)	WC704100AV	1

* Standard hardware item, available at local hardware or welder supply store

Glossary of Welding Terms

AC or Alternating Current - electric current that reverses direction periodically. Sixty cycle current travels in both directions sixty times per second.

Arc Length - the distance from the end of the electrode to the point where the arc makes contact with the work surface.

Base Metal - the material to be welded.

Butt Joint - a joint between two members aligned approximately in the same plane.

Crater - a pool, or pocket, that is formed as the arc comes in contact with the base metal.

DC or Direct Current - electric current which flows only in one direction. The polarity (+ or -) determines which direction the current is flowing.

DC Reverse Polarity - occurs when the electrode holder is connected to the positive pole of the welding machine. Reverse Polarity directs more heat into melting the electrode rather than the work piece. It is used on thinner material.

DC Straight Polarity - occurs when the electrode holder is connected to the negative pole of the welding machine. With straight polarity more heat is directed to the work piece for better penetration on thicker material.

Electrode - a coated metal wire having approximately the same composition as the material being welded.

Fillet Weld - approximately a triangle in cross-section, joining two surfaces at right angles to each other in a lap, T or corner joint.

Flux - a coating, when heated, that produces a shielding gas around the welding area. This gas protects the parent and filler metals from impurities in the air.

Flux Cored Arc Welding (FCAW) - also called Gasless, is a welding process used with a wire-feed welding machine. The weld wire is tubular with flux material contained inside for shielding.

Gas Metal Arc Welding (GMAW) - also called MIG, is a welding process used with a wire feed welding machine. The wire is solid and an inert gas is used for shielding.

Gas Tungsten Arc Welding (GTAW) - also called TIG, is a welding process used with welding equipment with a high frequency generator. The arc is created between a non-consumable tungsten electrode and the work piece. Filler metal may or may not be used.

Lap Joint - a joint between two overlapping members in parallel planes.

Open Circuit Voltage (OCV) - the voltage between the electrode and the work clamp of the welding machine when no current is flowing (not welding). The OCV determines how quickly the arc is struck.

Overlap - occurs when the amperage is set too low. In this instance, the molten metal falls from the electrode without actually fusing into the base metal.

Porosity - gas pockets, or cavities, formed during weld solidification. They weaken the weld.

Penetration - the depth into the work piece that has been heat effected by the arc during the welding process. A good weld achieves 100% penetration meaning that the entire thickness of the work piece has been heated and resolidified. The heat effected area should be easily seen on the opposite side of the weld.

Shielded Metal Arc Welding (SMAW) - also called Stick, is a welding process with uses a consumable electrode to support the arc. Shielding is achieved by the melting of the flux coating on the electrode.

Slag - a layer of flux soot that protects the weld from oxides and other contaminants while the weld is solidifying (cooling). Slag should be removed after weld has cooled.

Spatter - metal particles thrown from the weld which cool and harden on the work surface. Spatter can be minimized by using a spatter resistant spray on the work piece before welding.

Tack Weld - weld made to hold parts in proper alignment until final welds are made.

Travel Angle - the angle of the electrode in the line of welding. It varies from 5° to 45° depending on welding conditions.

T Joint - made by placing the edge of one piece of metal on the surface of the other piece at approximately a 90° angle.

Undercut - a condition that results when welding amperage is too high. The excessive amperage leaves a groove in the base metal along both sides of the bead which reduces the strength of the weld.

Weld Pool or Puddle - a volume of molten metal in a weld prior to its solidification as weld metal.

Weld Bead - a narrow layer or layers of metal deposited on the base metal as the electrode melts. Weld bead width is typically twice the diameter of the electrode.

Work Angle - the angle of the electrode from horizontal, measured at right angles to the line of welding.

Limited 5-3-1 Warranty

1. **Duration:** The manufacturer warrants that it will repair, at no charge for parts or labor, the Welder, Welding Gun, or Cables, proven defective in material or workmanship, during the following time period(s) after date of original retail purchase:
 For 5 Years: The Welder Transformer and Rectifier
 For 3 Years: The Entire Welder (excluding clamps, welding gun, electrode holder, cables, or accessories packed with welder)
 For 1 Year: The Welding Clamps, MIG Gun, Electrode Holder, Accessories, and Welding Cables (as applicable)
2. **Who Gives This Warranty (Warrantor):**
 Campbell Hausfeld
 The Scott Fetzer Company
 100 Production Drive
 Harrison, OH 45030
 Telephone: (513)-367-4811
3. **Who Receives This Warranty (Purchaser):** The original purchaser of the Campbell Hausfeld product.
4. **What is covered under this warranty:** Defects in material and workmanship which occur within the duration of the warranty period. This warranty extends to the Welder, the Welders Transformer and Rectifier, Welding Gun or Electrode Holder, and cables only.
5. **What is not covered under this warranty:**
 - A. Implied warranties, including those of merchantability and FITNESS FOR A PARTICULAR PURPOSE ARE LIMITED IN DURATION TO THIS EXPRESS WARRANTY. After this period, all risks of loss, from whatever reason, shall be on the purchaser. Some states do not allow limitations on how long an implied warranty lasts, so above limitations may not apply to you.
 - B. ANY INCIDENTAL, INDIRECT, OR CONSEQUENTIAL LOSS, DAMAGE, OR EXPENSE THAT MAY RESULT FROM ANY DEFECT FAILURE OR MALFUNCTION OF THE CAMPBELL HAUSFELD PRODUCT. Some states do not allow limitations on how long an implied warranty lasts, so above limitations may not apply to you.
 - C. This warranty does not apply to any accessory items included with the product which are subject to wear from usage; the repair or replacement of these items shall be at the expense of the owner. These MIG items include but are not limited to: Contact Tips, Nozzles, Gun Liners, Drive Rollers, Felt Wire Cleaner. In addition, this warranty does not extend to any damage caused by the untimely replacement or maintenance of any of the previously listed CONSUMABLE parts.
 - D. Any failure that results from accident, purchaser's abuse, neglect or failure to operate products in accordance with instructions provided in the owner's manual(s) supplied with the product.
 - E. Pre-delivery service, i.e. assembly and adjustment.
7. **Responsibilities of Warrantor under this warranty:** Repair or replace, at Warrantor's option, products or components which have failed within duration of the warranty period.
8. **Responsibilities of purchaser under this warranty:**
 - A. Deliver or ship the Campbell Hausfeld product or component to Campbell Hausfeld. Freight costs, if any, must be borne by the purchaser.
 - B. Use reasonable care in the operation and maintenance of the products as described in the owner's manual(s).
9. **When Warrantor will perform repair or replacement under this warranty:** Repair or replacement will be scheduled and serviced according to the normal work flow at the servicing location, and depending on the availability of replacement parts.

This Limited Warranty gives you specific legal rights and you may also have other rights which vary from state to state.

S'il vous plaît lire et conserver ces instructions. Lire attentivement avant de monter, installer, utiliser ou de procéder à l'entretien du produit décrit. Se protéger ainsi que les autres en observant toutes les instructions de sécurité, sinon, il y a risque de blessure et/ou dégâts matériels! Conserver ces instructions comme référence.



Soudeur À L'Arc Alimenté En Fil



Description

Le modèle WG2020 Campbell Hausfeld est un soudeur à l'arc alimenté en fil monophasé de 70 A, 115 V équipé d'un contrôle de vitesse de fil infini pour la sélection précise du taux d'alimentation de fil requis pour certaines applications de soudage. Les pièces internes sont protégées par un thermostat.

Ce système de soudage est conçu pour les méthodes de soudage à l'arc Flux CoreArc Welding (FCAW) ou Gas Metal Arc Welding (GMAW). Livré de l'usine, ce soudeur peut souder avec une baguette de .024 po (0,6 mm) à .035 po (0,9 mm) de diamètre. Une bobine de fil fourré de flux est comprise.

Déballage

Tous les accessoires du soudeur sont dans le compartiment d'alimentation de fil. Lever et

enlever le couvercle pour trouver le manche, la pince de soudeur, etc.

Lors du déballage, l'examiner soigneusement pour rechercher toute trace de dommage susceptible de s'être produit en cours de transport. Assurer que tous raccords, vis, etc., soient serrés avant de mettre ce produit en service.

EXIGENCES DE CIRCUIT

⚠ ATTENTION Cet équipement requiert un circuit de 115 V unique. Se référer au tableau suivant pour la classification correcte de disjoncteur et de fusible. Ne pas faire fonctionner autres appareils, lampes ou outils sur ce circuit pendant l'utilisation de cet équipement. Les cordons prolongateurs ne sont pas recommandés. Manque de suivre ces recommandations peut résulter en fusibles sautés et disjoncteurs déclenchés.

PIÈCES DÉTACHÉES ET CONTRÔLES

1. Pince de soudeur - s'attache à l'objet de travail.

2. Pistolet d'alimentation de fil
3. Cordon d'alimentation - se branche dans une prise de courant de 115 V.
4. Interrupteur de marche/arrêt (On/Off) - s'allume si le thermostat a coupé le modèle automatiquement.
5. Contrôle de vitesse de fil infini - tourne au sens des aiguilles d'une montre pour augmenter la vitesse et au sens contraire des aiguilles d'une montre pour diminuer la vitesse du fil.
6. Sélecteur de chaleur - Pour choisir la puissance du soudeur. Les quatre sélections possibles sont; basse 1, basse 2, haute 1 et haute 2.

Généralités sur la Sécurité

⚠ DANGER Danger indique: Manque de suivre cet avertissement causera la perte de vie ou des blessures graves.

⚠ AVERTISSEMENT Avertissement indique: Manque de suivre cet avertissement peut causer la perte de vie ou des blessures graves.

⚠ ATTENTION Attention indique: Manque de suivre cet avertissement peut causer des blessures de gravité petites ou moyennes ou le dommage matériel.

REMARQUE: Remarque indique: des renseignements additionnels concernant le produit ou son utilisation.

Sélecteur de Chaleur	Disjoncteur ou Fusée à Retardement
Basse	15 A
Haute	20 A

Se référer à la page 7 pour les instructions de remplacement du cordon d'alimentation.

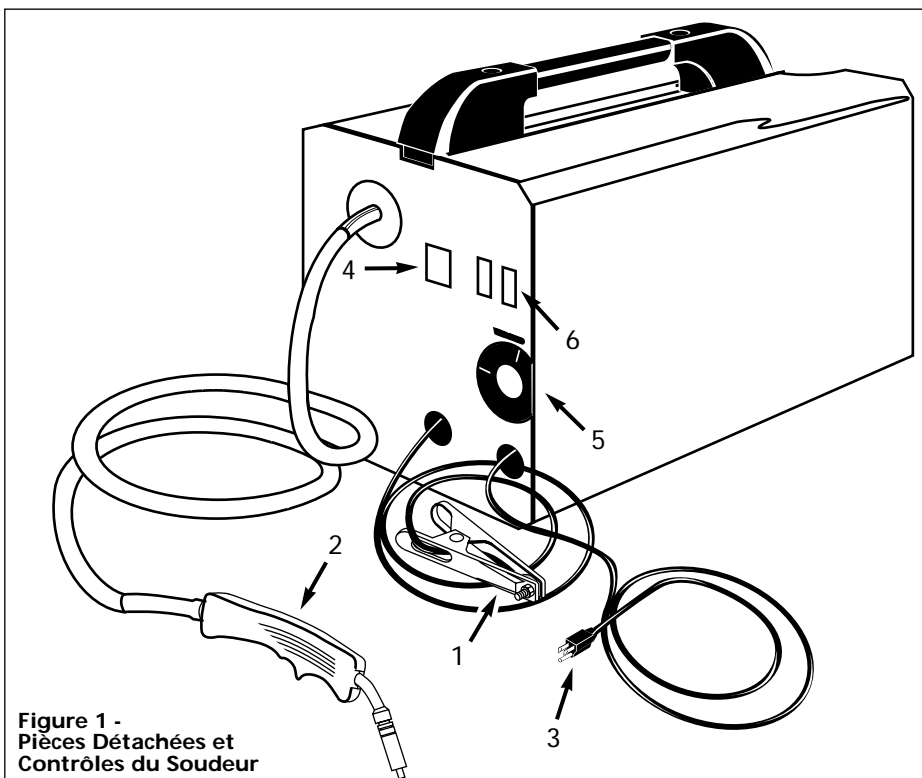


Figure 1 - Pièces Détachées et Contrôles du Soudeur

Soudeur à l'Arc Alimenté en Fil

Généralités sur la Sécurité (suite)

⚠ AVERTISSEMENT

Toujours avoir un extincteur d'incendie disponible pendant le soudage à l'arc.



- Lire et comprendre toutes les instructions avant de mettre en marche ou de procéder à l'entretien d'un soudeur à l'arc électrique. Manque de suivre les précautions et les instructions peut causer le dommage à l'équipement et/ou blessures personnelles graves ou la mort.
- Toute installation, entretien, réparation et utilisation de cet équipement doit être effectué par les personnes qualifiées conformément aux codes nationales, provinciales et locales.



⚠ AVERTISSEMENT

L'utilisation incorrecte des soudeurs à l'arc électriques peut avoir comme résultat, secousse électrique, blessure, et perte de vie! Suivre toutes les précautions indiquées dans ce manuel afin de réduire le risque de secousse électrique.



- Vérifier que toutes les pièces du soudeur à l'arc soient propres et en bon état avant de l'utiliser. S'assurer que l'isolation sur tous câbles, pistolets et cordons d'alimentation n'est pas endommagé. Toujours réparer ou remplacer les pièces détachées endommagées avant d'utiliser le soudeur. Toujours garder les panneaux, les écrans de soudage, etc. en place pendant le fonctionnement du soudeur.
- Toujours porter des vêtements protecteurs et gants de soudage secs, ainsi que des chaussures isolantes.
- Toujours faire fonctionner le soudeur dans un endroit propre, sec et bien ventilé. Ne pas faire fonctionner le soudeur dans un endroit humide, trempé, pluvieux, ou mal-ventilé.
- S'assurer que l'objet sur lequel vous travaillez soit bien fixé et mis à la terre correctement avant de commencer votre soudage à l'arc électrique.

- Le câble de soudage roulé devrait être étendu avant l'utilisation afin d'éviter le surchauffage et le dommage à l'isolation.

⚠ DANGER

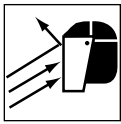
Ne jamais immerger

le fil ni le pistolet dans l'eau. Si le soudeur devient trempé, il est nécessaire qu'il soit complètement sec et propre avant l'utilisation!

- Toujours mettre l'équipement hors circuit et le débrancher avant de le déplacer.
- Toujours brancher le conducteur de travail en premier lieu.
- Vérifier que l'objet sur lequel vous travaillez soit mis à la terre correctement.
- Toujours mettre l'équipement de soudage à l'arc électrique hors circuit si hors usage et couper l'excès de fil du pistolet.
- Ne jamais permettre que votre corps touche le fil fourré de flux et la terre ou l'objet de travail mis à la terre en même temps.
- Les conditions et positions de soudage difficiles peuvent poser des risques électriques. Si vous êtes accroupis, à genoux ou aux élévations, s'assurer que toutes les pièces conductrices soient isolées. Porter des vêtements protecteurs convenables et prendre ses précautions contre les chutes.
- Ne jamais essayer d'utiliser cet équipement aux réglages de courant ni aux facteurs d'utilisation plus haut que ceux indiqués sur les étiquettes de l'équipement.
- Ne jamais utiliser un soudeur à l'arc électrique pour dégeler les tuyaux congelés.

⚠ AVERTISSEMENT

Les étincelles volantes et le métal chaud peuvent causer des blessures. La scorie peut s'échapper quand les soudures se refroidissent. Prenez toutes précautions indiquées dans ce manuel pour réduire la possibilité de blessure par les étincelles volantes et le métal chaud.

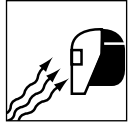


- Porter un masque de soudure ou des lunettes de sécurité avec écrans protecteurs approuvés par ANSI pendant le burinage ou l'ébarbage des pièces en métal.

- Utiliser des protège-tympons pour le soudage aérien afin d'éviter que la scorie ou la bavure tombe dans vos oreilles.

⚠ AVERTISSEMENT

Le soudage à l'arc électrique produit une lumière intense, la chaleur et les rayons ultraviolets (UV). Cette lumière intense et ces rayons UV peuvent causer des blessures aux yeux et à la peau. Prenez toutes précautions indiquées dans ce manuel afin de réduire la possibilité des blessures aux yeux et à la peau.



- Toutes personnes qui utilisent cet équipement ou qui soient dans l'endroit pendant l'utilisation de l'équipement doivent porter des vêtements de soudage protecteurs y compris: un masque ou un casque de soudeur ou un écran avec un filtre numéro 10 (au moins), des vêtements incombustibles, des gants de soudeur en cuir, et la protection complète pour les pieds.

⚠ ATTENTION

Le fil de soudage est électrisé si le modèle est en marche (on) - soit que la gâchette soit tirée ou non.

⚠ AVERTISSEMENT

Ne jamais observer le soudage à l'arc sans la protection pour les yeux telle qu'indiquée ci-dessus. Ne jamais utiliser une lentille filtrante qui est fendue, cassée ou classifiée moins que le numéro 10. Avertir les autres personnes dans l'endroit de ne pas observer l'arc.

Ne jamais observer

⚠ AVERTISSEMENT

Le soudage à l'arc électrique produit des étincelles et chauffe le métal aux températures qui peuvent causer des brûlures graves! Utiliser des gants et des vêtements protecteurs pendant n'importe quel travail de métal. Prenez toutes précautions indiquées dans ce manuel afin de réduire la possibilité de brûlures de peau ou de vêtements.



- S'assurer que toutes personnes dans l'endroit de soudage soient protégées contre la chaleur, les étincelles et les rayons ultraviolets. Utiliser des écrans de visage additionnels et des écrans coupe-feu si nécessaire.
- Ne jamais toucher les objets de travail avant qu'ils soient complètement refroidis.

Généralités sur la Sécurité (suite)

⚠ AVERTISSEMENT

La chaleur et les étincelles qui sont produites pendant le soudage à l'arc électrique



et autres travaux de métal peuvent allumer les matériaux inflammables et explosifs! Prenez toutes les précautions indiquées dans ce manuel afin de réduire la possibilité de flammes et d'explosions.

- Enlever tous les matériaux inflammables à moins de 35 pieds (10,7 m) de l'arc de soudage. Si l'enlèvement n'est pas possible, bien couvrir les matériaux inflammables avec des couvertures incombustibles.
- Ne pas utiliser un soudeur à l'arc électrique dans les endroits qui contiennent des vapeurs inflammables ou explosifs.
- Prenez précaution pour assurer que les étincelles volantes et la chaleur ne produisent pas de flammes dans des endroits cachés, fentes, etc.

⚠ AVERTISSEMENT

Risque d'incendie!

Ne pas souder les récipients ni les tuyaux qui contiennent ou qui ont contenus des matériaux inflammables ou combustibles gazeux ou liquides.

⚠ AVERTISSEMENT

Le soudage à l'arc des bouteilles ou des récipients fermés tels que les réservoirs



ou bidons, peuvent causer une explosion s'ils ne sont pas bien ventilés! Vérifier qu'il y a un trou de ventilation suffisant dans n'importe quel bouteille ou récipient afin de permettre la ventilation des gaz pendant l'expansion.

⚠ AVERTISSEMENT

Ne pas inspirer les vapeurs qui sont produites par le soudage à l'arc. Ces vapeurs sont dangereuses. Utiliser un respirateur fourni d'air si l'endroit de soudage n'est pas bien ventilé.



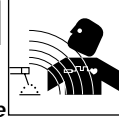
- Garder la tête et le visage hors des vapeurs de soudage.
- Des vapeurs extrêmement toxiques sont produites pendant le chauffage des métaux galvanisés, plaqués de cadmium, ou des métaux qui contiennent le zinc, le mercure, ou le beryllium. Compléter les précautions

suivantes avant d'exécuter le soudage à l'arc électrique sur ces métaux:

- Enlever l'enduit du métal commun.
- S'assurer que l'endroit de soudage soit bien ventilé.
- Utiliser un respirateur fourni d'air.

⚠ AVERTISSEMENT

Le champ électromagnétique qui est produit pendant le soudage à l'arc peut causer de l'interférence avec le fonctionnement de plusieurs appareils électriques tels que les pacemakers cardiaques. Toutes personnes utilisant ces appareils doivent consulter leur médecin avant d'exécuter le soudage à l'arc électrique.



- Router le pistolet à fil et les câbles ensembles et les fixer avec du ruban adhésif si possible.
- Ne jamais envelopper les câbles de soudage à l'arc autour du corps.
- Toujours situer le pistolet à fil et les conducteurs de service sur le même côté du corps.
- L'exposition aux champs électromagnétiques peut avoir autres réactions inconnues concernant la santé.

⚠ AVERTISSEMENT

Avant de laisser

l'endroit, s'assurer que l'endroit de soudage est en état sûr et sans risques (étincelles, flammes, métal chauffé au rouge, ou scorie). S'assurer que l'équipement soit hors circuit et que l'excès de fil soit taillé. S'assurer que les câbles soient roulés (sans serrer) et hors du chemin. S'assurer que tout métal et scorie soient refroidis.

⚠ DANGER

Les bouteilles peuvent exploser si endommagées. Les bouteilles de gaz contiennent du gaz sous haute pression. Si endommagée, une bouteille peut exploser. Puisque les bouteilles de gaz font partie du procédé de soudage, il est nécessaire de les respecter.



- Protéger les bouteilles de gaz comprimé contre la chaleur excessive, les chocs mécaniques et les arcs.
- Installer et fixer les bouteilles dans une position verticale en utilisant une chaîne sur un support stationnaire ou un support de bouteille afin d'éviter le renversement ou le basculement.
- Garder les bouteilles à l'écart du soudage ou autres circuits électriques.
- Ne jamais permettre que l'électrode de soudage touche une bouteille.
- Utiliser seulement les bouteilles de gaz correctes; régulateurs, tuyaux et raccords conçus pour votre application

et les tenir en bon état de marche.

- Tourner le visage à l'écart de la soupape d'échappement en ouvrant la soupape de la bouteille.
- Garder le capuchon protecteur en place sur la soupape sauf si la bouteille est soi en service ou brancher pour le service.
- Lire et suivre les instructions pour les bouteilles de gaz et autre équipement, ainsi que la publication CGA, P-1 indiquée dans les Normes de Sécurité.



⚠ DANGER

Ne jamais utiliser

les gaz inflammables avec les soudeurs MIG. Seuls les gaz inertes ou ininflammables tels que le bioxyde de carbone, l'argon, le helium ou un mélange d'un ou plus de ces gaz sont convenables pour le soudage MIG.

⚠ AVERTISSEMENT

Ne jamais soulever

les bouteilles par leurs soupapes, capuchons ni avec les chaînes ou élingues.

NORMES DE SÉCURITÉ ADDITIONNELLES

Normes ANSI Standard Z49.1 de la Société American Welding Society, 550 N.W. Le June Rd. Miami, FL 33126

Normes de Sécurité et de Santé

OSHA 29 CFR 1910, du Superintendent of Documents, U.S. Government Printing Office, Washington, D.C. 20402

Code Électrique National

Norme NFPA 70, de l'Association National Fire Protection Association, Batterymarch Park, Quincy, MA 02269

Manipulation Sûr des Bouteilles de Gaz Comprimé

Brochure CGA P-1, de l'Association Compressed Gas Association, 1235 Jefferson Davis Highway, Suite 501, Arlington, VA 22202

Code pour la Sécurité concernant le Soudage et le Coupage

Norme CSA W117.2, de l'Association Canadian Standards Association, Standards Sales, 178 Rexdale Boulevard, Rexdale, Ontario, Canada M9W 1R3

Procédés de Coupage et Soudage

Norme NFPA 51B, de l'Association National Fire Protection Association, Batterymarch Park, Quincy, MA 02269

Règlements Professionnels et d'Éducation de Sécurité pour la Protection des Yeux et du Visage

Norme ANSI Z87.1, de l'Institut American National Standards Institute, 1430 Broadway, New York, NY 10018

Se référer aux Données de Sécurité (Material Safety Data Sheets) et les instructions des fabricants pour les métaux, les fils, les enduits et les produits pour le nettoyage.

Soudeur à l'Arc Alimenté en Fil

Installation

ENDROIT

La sélection de l'endroit correct peut améliorer de façon spectaculaire, le rendement, la fiabilité, et la durée du soudeur à l'arc.

- Pour un meilleur résultat, situer le soudeur dans un endroit propre et sec. La poussière et la saleté dans le soudeur conservent l'humidité et augmentent l'usure des pièces mobiles.
- Placer le soudeur dans un endroit avec au moins douze pouces (305 mm) d'espace pour la ventilation en avant et en arrière du modèle. Garder cet espace libre d'obstructions.
- Entreposer le fil fourré de flux dans un endroit propre et sec avec humidité basse pour conserver l'enduit de flux.
- Utiliser une prise de courant mise à la terre correctement pour le soudeur, et s'assurer que le soudeur soit le seul appareil de charge sur le circuit d'alimentation. Se référer au tableau sur la page 1 pour la capacité correcte du circuit.
- L'utilisation d'un cordon prolongateur n'est pas recommandé pour les soudeurs à l'arc électriques. Une perte de tension dans le cordon prolongateur peut diminuer de façon spectaculaire, le rendement du soudeur.

Montage

Tous les accessoires de soudage sont situés dans le compartiment d'alimentation de fil. Soulever et enlever le couvercle d'alimentation de fil pour trouver le manche, la pince de soudeur, etc.

MONTAGE DE MANCHE ET BASE

1. Glisser le manche dans les bouts en plastique tel qu'indiqué (Fig. 2).
2. Placer le manche équipé sur le soudeur en alignant les deux trous dans les bouts en plastique avec les trous filetés du carter de soudeur.
3. Utiliser des rondelles et fixer les vis à travers les bouts du manche et dans la boîte.
4. Fixer la base de la bouteille au modèle tel qu'indiqué (Fig. 2).

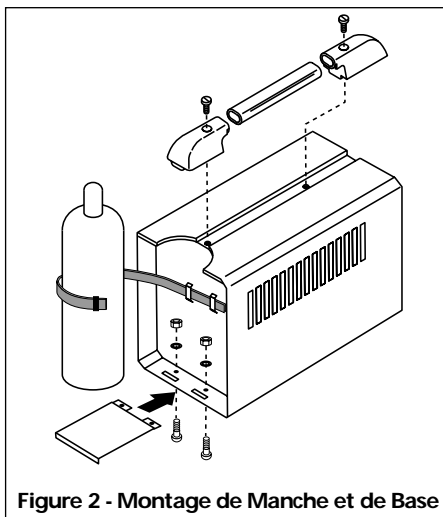


Figure 2 - Montage de Manche et de Base

COLLIER DE TRAVAIL

1. Desserrer le boulon hexagonal sur la pince de soudeur.
2. Introduire le cordon (marqué work sur le panneau supérieur du soudeur) à travers le manche du collier et glisser le fil nu sous le bloc du collier. Serrer le boulon hexagonal et s'assurer que le fil nu soit fixé avec sûreté (Figure 3).

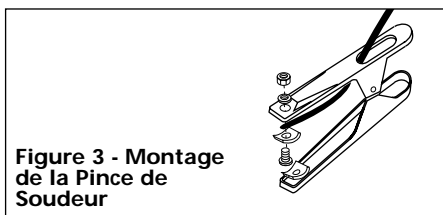


Figure 3 - Montage de la Pince de Soudeur

INSTALLATION DE FILS

⚠ AVERTISSEMENT La puissance de soudage peut être appliquée aux bornes de sortie, rouleau entraîneur, collier de mise à la terre, raccord de câble de pistolet et le fil à soudage même si l'interrupteur du pistolet n'est pas actionné. Ne pas toucher ces pièces quand le soudeur est en marche.

REMARQUE: Avant d'installer le fin à soudage, s'assurer que:

- a. Le diamètre du fil à soudage correspond au fentes dans le mécanisme de rouleau entraîneur.
- b. Le fil est compatible à la ligne de diamètre dans le tuyau du pistolet.
- c. Le fil correspond à la buse dans le bout du pistolet.

Des articles qui ne se correspondent pas peuvent causer le patinage et le coinçage du fil.

1. Vérifier que le modèle soit hors circuit et soulever le panneau du soudeur pour exposer le mécanisme d'alimentation du fil.
2. Enlever la serrure rapide de la bobine en appuyant et tournant 1/4 de tour au sens inverse des aiguilles d'une montre. Ensuite enlever le bouton, ressort et l'entretoise de bobine.
3. Desserrer la vis de serrage sur le mécanisme d'alimentation afin de permettre l'avancement initial à la main du fil dans la chemise du pistolet.
4. Installer la bobine sur la broche afin que le fil puisse sortir de la bobine au bout le plus près du tube de guidage d'alimentation. **Ne pas couper le fil tout de suite.** Installer l'entretoise de bobine, le ressort et le bouton de serrage rapide en appuyant et tournant le bouton 1/4 de tour au sens des aiguilles d'une montre.
5. Tenir le fil et couper le fil du bout de la bobine. Ne pas permettre que le fil se démêle. S'assurer que le bout du fil soit droit et sans ébarbures.
6. Avancer le fil à travers le tube de guidage d'alimentation, par dessus l'encoche dans le rouleau d'entraînement et dans la chemise du pistolet. Serrer la vis de tension d'alimentation de fil. Ne pas trop serrer. Installer le panneau extérieur du soudeur.
7. Enlever la buse en tirant tout en la tournant au sens des aiguilles d'une montre. Ensuite desserrer la pointe de contact du bout du chalumeau de soudeur (Voir Figure 5). Brancher le soudeur dans une prise de courant convenable.

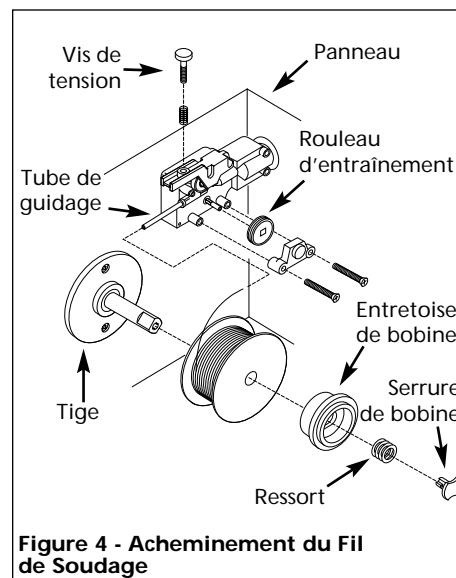


Figure 4 - Acheminement du Fil de Soudage

Montage (suite)

- Mettre le soudeur en marche et régler la vitesse du fil à 5. Actionner l'interrupteur du pistolet jusqu'à ce que le fil s'avance et dépasse le bout du chalumeau. **Mettre le soudeur hors circuit.**
- Glisser la pointe de contact soigneusement par dessus le fil et la visser dans le bout du chalumeau. Installer la buse sur le chalumeau en tournant au sens des aiguilles d'une montre tout en poussant sur le chalumeau (Voir Figure 5). Tailler le fil environ 1/4 po du bout de la buse.

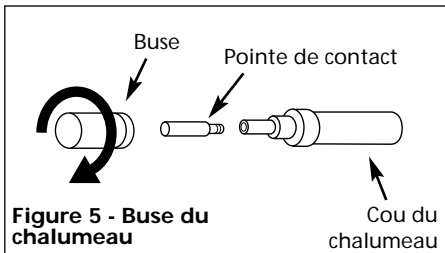


Figure 5 - Buse du chalumeau

Marques De Pointe De Contact

Marque	Taille de fil
0,6 mm	0,024 po
0,8 mm	0,030 po
0,9 mm	0,035 po

FACTEUR D'UTILISATION/PROTECTION THERMOSTATIQUE

Le facteur d'utilisation de soudage est le pourcentage du temps de soudage actuel qui peut se faire dans un interval de dix minutes. Par exemple, le soudage actuel peut se produire pour une minute à un facteur d'utilisation de 10%, et ensuite, le soudeur doit se refroidir pour neuf minutes.

Les pièces détachées internes de ce soudeur sont protégées contre le surchauffage avec un interrupteur automatique thermique. **Une lampe jaune sur le panneau d'avant (interrupteur marche/arrêt - on/off) est allumée si vous dépassez le facteur d'utilisation.** Continuer avec le soudage quand la lampe n'est pas allumée.

POLARITÉ

Pour changer entre le fil flux et MIG, vous devez changer la polarité.

- Enlever la porte d'alimentation de fil.
- Trouvez les raccords de polarité rouge (+) et noir (-) situés sous le

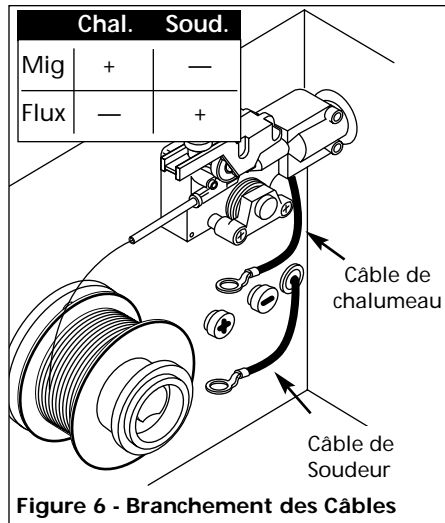


Figure 6 - Branchement des Câbles

mécanisme d'alimentation de fil (Voir Figure 6).

- Pour le soudage MIG à gaz,** brancher le câble du chalumeau du mécanisme d'alimentation de fil dans le raccord de polarité rouge (+) et ensuite brancher le câble de soudeur dans le raccord noir (-).
- Pour le soudage au fil fourré de flux,** brancher le câble du chalumeau du mécanisme d'alimentation de fil dans le raccord de polarité noire (-) et ensuite brancher le câble de soudeur dans le raccord rouge (+).

Préparation Pour Le Gaz Protecteur

⚠ DANGER

La manipulation et l'entretien incorrect des bouteilles de gaz comprimé et des régulateurs peuvent résulter en blessures graves ou perte de vie! Toujours fixer les bouteilles de gaz au

nécessaire de support du réservoir, à un mur ou autre support stationnaire afin d'éviter le basculement. Lire, comprendre et suivre toutes les avertissements et dans les instructions de sécurité pour le gaz comprimé et l'équipement.

REMARQUE: Le gaz n'est pas nécessaire si le fil fourré de flux est utilisé.

TYPES DE GAZ

Il y a trois types de gaz populaires pour le soudage à l'arc avec gaz; 100% argon, un mélange de 75% argon et 25% gaz carbonique (C25) ou 100% gaz carbonique. Le mélange 75/25 est recommandé pour le soudage général de l'acier. Pour le soudage d'aluminium, utiliser 100% argon. Tous types de bouteilles sont disponibles chez votre fournisseur de matériaux de soudage. Fixer la bouteille en place sur votre soudeur ou sur un autre support pour éviter le basculement de la bouteille.

RÉGULATEUR

Le régulateur fournit une pression et un débit constant de gaz pendant le soudage. Chaque régulateur est conçu pour l'utilisation avec un type ou mélange de gaz particulier. L'argon et les mélanges d'argon utilisent le même type de filets. 100% gaz carbonique utilise un différent type de filets. Un adaptateur est disponible chez votre fournisseur de gaz de soudeur pour pouvoir utiliser les deux types.

BRANCHEMENT

⚠ AVERTISSEMENT

Les bouteilles de gaz sont sous haute pression. Diriger

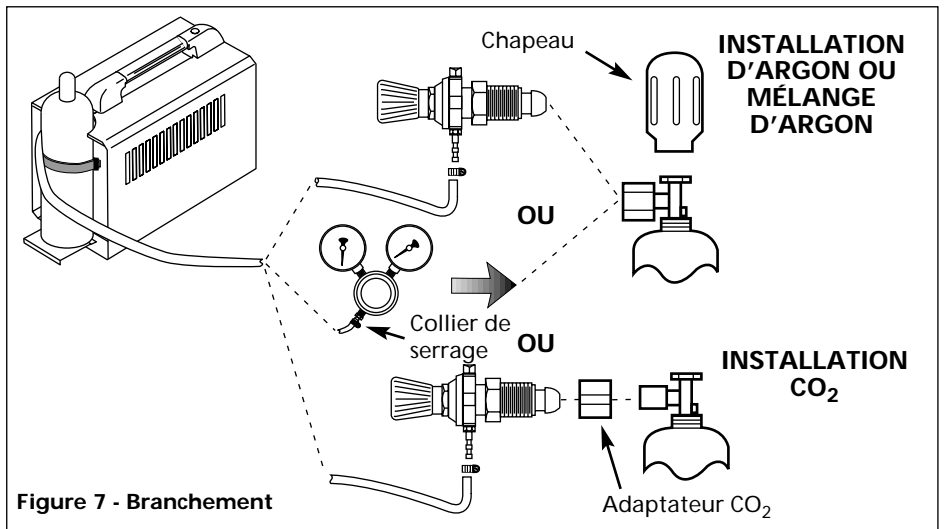


Figure 7 - Branchement

Soudeur à l'Arc Alimenté en Fil

Montage (Suite)

Préparation pour le Gaz Protecteur

BRANCHEMENT (SUITE)

l'orifice d'échappement à l'écart de soi-même ou d'autres personnes avant de l'ouvrir.

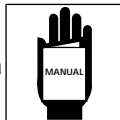
1. Avec la bouteille bien installée, se tenir au bord opposé de l'orifice d'échappement, enlever le capuchon de la bouteille et ouvrir la soupape un peu en tournant au sens contraire des aiguilles d'une montre. Quand le gaz sort de la bouteille, fermer la soupape en tournant au sens des aiguilles d'une montre. Ceci sert à purger la poussière qui peut s'accumuler autour du siège de la soupape.
2. Installer le régulateur sur la soupape de la bouteille de gaz en gardant la face des jauges dans la position verticale et serrer l'écrou à la soupape de gaz.
3. Installer un bout du tuyau de gaz au raccord situé en arrière du soudeur et l'autre bout du tuyau au raccord du régulateur en utilisant des colliers de serrage sur chaque raccordement. S'assurer que le tuyau ne soit pas tortillé.
4. Se positionner encore au bord opposé de l'orifice de sortie de la bouteille et ouvrir la soupape lentement. Inspecter pour des fuites dans l'endroit des raccordements.
5. Tirer la gâchette sur le pistolet afin de permettre que le gaz s'écoule et ajuster le régulateur du gaz au débit maximum.
6. N'oubliez pas de fermer la soupape de gaz lorsque vous avez fini de souder.

⚠ ATTENTION

Le fil de soudage est chargé lorsque le soudeur est en marche - que la gâchette soit actionnée ou non

Fonctionnement

1. Lire, comprendre et suivre toutes les précautions dans la section Généralités Sur La Sécurité. Lire la section entière de Directives De Soudage avant d'utiliser l'équipement.
2. Mettre le soudeur hors circuit.
3. Vérifier que les surfaces du métal soient libres de saleté, rouille, peinture, huile, écailles ou autres



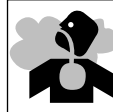
polluants avant de les souder ensemble. Ces polluants rendent la soudure difficile et peuvent causer de mauvaises soudures.

⚠ AVERTISSEMENT

Toutes personnes utilisant cet équipement ou qui sont dans l'endroit pendant l'utilisation de l'équipement doivent porter des vêtements de soudage protecteurs y compris: protection oculaire avec lentille correcte, vêtements incombustibles, gants de soudeur en cuir, et protection complète pour les pieds.

⚠ AVERTISSEMENT

Pour le chauffage, soudage ou coupage des matériaux galvanisés, plaqué en zinc, plomb, ou en cadmium, se référer à la section Généralités Sur La Sécurité pour plus d'instructions. Des vapeurs extrêmement toxiques sont produites pendant le chauffage de ces métaux.



4. Raccorder la pince de soudeur à l'objet de travail ou à l'établi (si en métal). S'assurer que le contact soit sûr et non-pollué par la peinture, le vernis, la corrosion, ou autres matériaux non-métalliques.
5. Régler le Régulateur de Chaleur situé sur le panneau supérieur à la position désirée.

REMARQUE: Ces réglages sont établis comme guides généraux. Les réglages de chaleur sont variables selon les conditions de soudage et le matériel utilisé.

Épaisseur du Métal	Réglage de Chaleur
Calibre 14 - 24	Basse
Plus épais que cal. 14	Haute

6. Commencer avec un réglage de commande de vitesse numéro 5, et l'ajuster si nécessaire après la première soudure d'essai.
7. Brancher le cordon d'alimentation dans une prise de courant convenable avec capacité en circuits correcte (Voir le Tableau dans la section spécifications à la page 1).
8. Mettre le soudeur en marche (ON).
9. Vérifier que le fil dépasse la pointe de contact par 1/4 po (6,4 mm), sinon, appuyer sur la gâchette pour avancer le fil, relâcher la gâchette et tailler le fil.
10. Mettre le pistolet près de l'objet de travail, baisser le casque de soudeur en inclinant la tête ou mettre l'écran à

main en position, et appuyer sur la gâchette. Ajuster le réglage de chaleur et la vitesse du fil si nécessaire.

11. Une fois fini, mettre le soudeur hors circuit (off) et le ranger correctement.

Entretien

⚠ AVERTISSEMENT

Débrancher et mettre la machine hors circuit avant de vérifier ou de procéder à l'entretien de n'importe quelle pièce détachée. Toujours garder le couvercle du compartiment de fil fermé sauf pendant le changement du fil.

AVANT CHAQUE USAGE:

1. Vérifier la condition des câbles de soudage et réparer ou remplacer immédiatement, les câbles dont l'isolation est endommagée.
2. Vérifier la condition du cordon d'alimentation et le réparer ou le remplacer immédiatement si endommagé.
3. Inspecter la condition du bout du pistolet et de la buse. Enlever la scorie, si présente. Remplacer le bout du pistolet ou la buse si endommagés.

⚠ AVERTISSEMENT

Ne pas utiliser ce soudeur si l'isolation sur les câbles de soudage, le pistolet, ou le cordon d'alimentation est fendu ou manquant.

CHAQUE TROIS MOIS:

1. Remplacer toutes étiquettes de sécurité sur le soudeur qui ne sont pas lisibles.
2. Utiliser de l'air comprimé pour souffler toute la poussière des ouvertures de ventilation.
3. Nettoyer l'encoche de fil sur le rouleau d'entraînement. Enlever le fil du dispositif d'alimentation, enlever les vis du carter du rouleau d'entraînement. Utiliser une petite brosse métallique pour nettoyer le rouleau d'entraînement. Remplacer si usé ou endommagé.

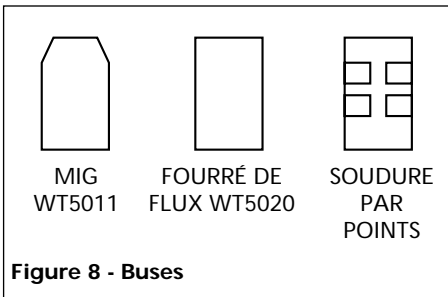
Pièces Consommables Et Qu Peuvent S'User

Les pièces suivantes exigent de l'entretien ordinaire:

- Rouleau d'entraînement d'alimentation de fil
- Chemise du pistolet - remplacer si usée
- Buse/bouts de contact
- Fil - Ce soudeur acceptera les bobines de diamètre 4 po ou 8 po (10,16 ou

Entretien (suite)

20,32 cm). Le fil de soudure est sensible à l'humidité et s'oxyde après quelques temps. Il est important de choisir une taille de bobine qui sera utilisée dans une période de 6 mois. Pour l'acier doux, il est recommandé d'utiliser le fil solide AWS ER70S6 ou le fil fourré de flux AWS E71T-GS.



CHANGEMENT DE TAILLE DE FILS

Ce soudeur est réglé pour le fil .035 (.9mm). Si une différente taille de fil est utilisée, le rouleau d'entraînement et la buse de contact auront peut-être besoin d'être changés. Il y a deux rainures dans le rouleau d'entraînement. La petite rainure est pour le fil d' .023 (.6 mm) et l'autre est pour le fil de .030-.035 (.8-.9 mm). Enlever le couvercle du rouleau et tourner le rouleau d'entraînement afin de choisir la rainure correcte (Voir la description de pièces). La buse de contact devrait correspondre au diamètre du fil utilisé. Le diamètre de la buse est indiqué sur la buse de contact en pouces ou en millimètres. Pour le fil en aluminium, utiliser une buse de contact une taille plus grande (Ex. - Utiliser une buse .035 po pour un fil de .030 po de diamètre).

Remplacement du câble d'alimentation

1. Vérifier que le soudeur soit hors circuit (OFF) et le cordon d'alimentation soit débranché.
2. Enlever le carter du soudeur pour exposer l'interrupteur ON/OFF.
3. Déconnecter les fils du cordon d'alimentation noirs et blancs branchés à l'interrupteur ON/OFF.
4. Déconnecter le fil de cordon d'alimentation vert connecté à la charpente du soudeur.
5. Desserrer la (les) vis de tension du cordon et tirer le cordon du soulagement de tension.
6. Installer un nouveau cordon selon l'ordre inverse.

Directives De Soudage

Généralités

Cette série de soudeurs peut utiliser les procédés de soudage à L'Arc Fourré en Flux (Sans Gaz) ou de Soudage à L'Arc au Métal à Gaz (MIG). Le cordon de soudage doit être protégé contre la contamination dans l'air pendant qu'il est fondu. Le procédé Sans Gaz utilise un fil tubulaire avec un matériel flux à l'intérieur. Le flux fondu produit un gaz protecteur. Le procédé MIG utilise un gaz inerte pour protéger la soudure fondue. Quand le courant est produit par un transformateur (machine à souder) et passe à travers du circuit à un fil de soudage, un arc est produit entre le bout du fil à soudage et l'objet de travail. Cet arc fond le fil et l'objet. Le métal fondu du fil à soudage s'écoule dans le cratère fondu et produit un adhérence avec l'objet de travail indiqué ci-dessous (Figure 9).

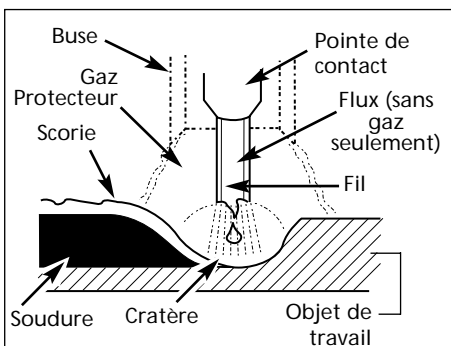


Figure 9 - Parties de soudage

Principes Du Soudage à L'Arc

Les cinq techniques qui ont un effet sur la qualité de la soudure sont: la sélection du fil, le réglage de chaleur, l'angle de soudure, la vitesse du fil et la vitesse de déplacement. La compréhension de ces méthodes est nécessaire afin d'atteindre une soudure efficace.

RÉGLAGE DE CHALEUR

La chaleur correcte nécessite un ajustement du soudeur au réglage exigé. La chaleur ou la tension est réglée par un interrupteur sur le soudeur. Le réglage de la chaleur utilisé dépend sur la taille (diamètre) et du type de fil, la position de la soudure et l'épaisseur de l'objet. Se référer aux spécifications indiquées sur le soudeur.

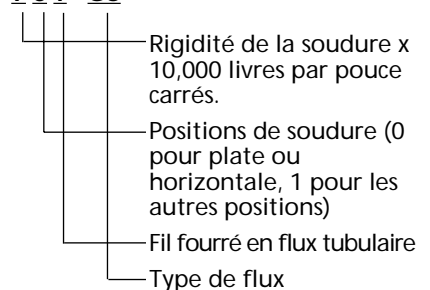
Il est recommandé que le soudeur se pratique sur des morceaux de métal afin d'ajuster les réglages, et comparer les soudures avec la Figure 11.

TYPE ET TAILLE DE FILS

Le choix correct du fil comprend une variété de facteurs telles que la position de soudage, le matériel de l'objet de travail, l'épaisseur et la condition de la surface. L'American Welding Society, AWS, a organisé certaines exigences pour chaque type de fil.

FIL FOURRÉ DE FLUX

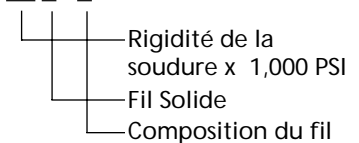
E - 7 0 T - GS



AWS E71T-GS ou E71T-11 sont recommandés pour ce soudeur.

FIL SOLIDE

ER - 70 S - 6



ER-70S6 est recommandé pour ce soudeur.

ANGLE DE SOUDURE

L'angle de soudure est l'angle de la buse pendant le soudage. L'utilisation de l'angle correct assure la pénétration et la formation du cordon de soudure exigé. L'angle de soudure est très important pour les positions de soudure différentes afin de produire une bonne soudure. L'angle de soudure comprend deux positions - l'angle de déplacement et l'angle de travail. L'angle de déplacement est

Soudeur à l'Arc Alimenté en Fil

Directives De Soudage (suite)

l'angle situé dans la ligne de la soudure et peut varier entre 5° et 45° du vertical selon les conditions de soudage.

L'angle de travail est l'angle horizontal, mesuré aux angles droits à la ligne de soudage. Pour la plupart des applications, un angle de déplacement de 45° et un angle de travail de 45° sont suffisants. Pour les usages spécifiques, consulter un manuel de soudage à l'arc.

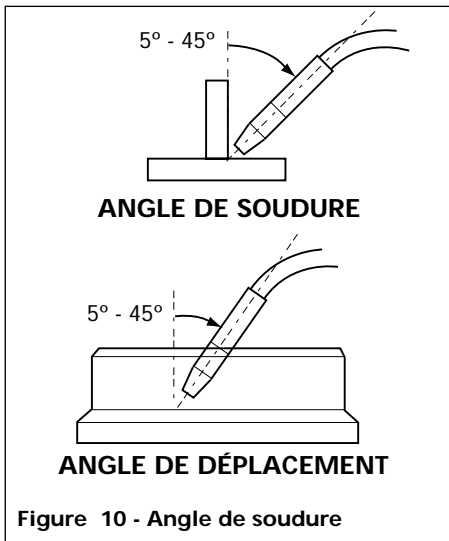
VITESSE DE FIL

La vitesse de fil est réglée par le bouton sur le panneau supérieur. La vitesse doit être "réglée" selon le taux auquel le fil est fondu dans l'arc. Le réglage est une des fonctions critiques du soudage alimenté en fil. Le réglage devrait être

effectué sur un morceau de métal d'essai qui est de même type et d'épaisseur que celui qui doit être soudé. Procéder avec la soudure avec une main en "trainant" la buse du pistolet à travers de la pièce d'essai en réglant la vitesse avec l'autre main. Une vitesse trop lente causera un crachement et le fil se brûlera dans la pointe de contact. Une vitesse trop rapide peut aussi causer un bruit de crachement et le fil s'enfoncera dans la plaque avant de se fondre. Un bruit constant de bourdonnement indique que la vitesse de fil est réglée correctement. Répéter le procédé de réglage chaque fois qu'il y ait un changement de réglage de chaleur, diamètre ou type de fil, type de matériel ou épaisseur de l'objet de travail.

VITESSE DE DÉPLACEMENT

La vitesse de déplacement est la vitesse auquel le chalumeau est dirigé le long de la surface de soudage. Le diamètre et le type de fil à soudage, l'ampérage, la position et l'épaisseur de l'objet de travail ont tous un effet sur la vitesse de déplacement et peuvent avoir un effet sur la qualité de la soudure (Voir Figure 11). Lorsque la vitesse est trop rapide, le cordon est étroit et les ondulations du cordon sont pointus comme indiqué. Lorsque la vitesse est trop lente, la soudure se tasse et le cordon est haut et large.



ENLEVAGE DE SCORIE (FIL FOURRÉ DE FLUX SEULEMENT)

AVERTISSEMENT Porter des

lunettes protectrices approuvées ANSI (Standard ANSI Z87.1) et des vêtements protecteurs pendant l'enlèvement de la scorie. Le débris chaud et volant peut causer des blessures aux personnes dans l'endroit.

Après avoir complété la soudure, attendre que les sections de soudage se refroidissent. Une couche protectrice appelée scorie couvre le cordon de soudure et empêche la réaction du métal fondu avec les polluants dans l'air. La scorie peut être enlevée une fois que la soudure s'est refroidie et n'est plus rouge. Enlever la scorie avec un marteau à buriner. Frapper la scorie légèrement avec le marteau et la dégager du cordon de soudure. Finir avec une brosse métallique. Enlever la scorie avant chacune des passes multiples.

POSITIONS DE SOUDAGE

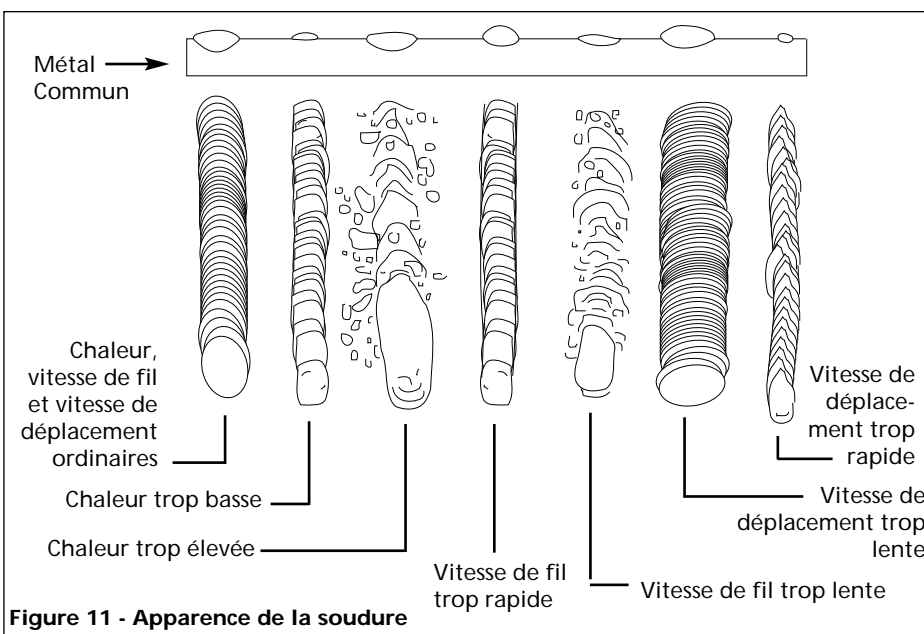
Il y a quatre positions générales de soudage: plate, horizontale, verticale et aérienne. Le soudage dans une position plate est la plus facile. La vitesse peut être augmentée, le métal fondu coule moins, une meilleure pénétration est possible et le travail est moins fatiguant. Le soudage est effectué avec le fil à un angle de déplacement de 45° et un angle de travail de 45°. Autres positions exigent autres techniques telles que le tissage, passe circulaire et le jogging. Un niveau de plus grande compétence est exigé pour ces soudures.

La soudure aérienne est la position plus difficile et dangereuse. Le réglage de la chaleur et la sélection du fil varient selon la position.

Tout le travail devrait être effectué dans la position plate si possible. Pour les applications spécifiques, consulter un manuel technique de soudage.

PASSES DE SOUDAGE

Quelques fois il est nécessaire d'utiliser plus d'une passe pour remplir le joint. La première passe est la passe de base, suivie par la passe de remplissage et la passe de finition. Si les pièces sont épaisses, il peut être nécessaire de bisauter les bords qui sont unis à un angle de 60°. Enlever la scorie avant chaque passe pour le procédé Sans Gaz.



Directives De Soudage (suite)

TECHNIQUE POUSSER VS TIRER

Le type et l'épaisseur de la pièce de travail agissent sur la direction de la buse du pistolet. Pour des matériaux minces, (calibre 18 et plus) et tout aluminium, la buse devrait être dirigée en avant de la flaque de soudure et devrait **pousser** la flaque à travers de l'objet de travail. Pour de l'acier épais, la buse devrait être dirigée dans la flaque de soudure pour augmenter la pénétration de la soudure. Ceci est la technique main-arrière ou **tirer** (Voir Figure 14).

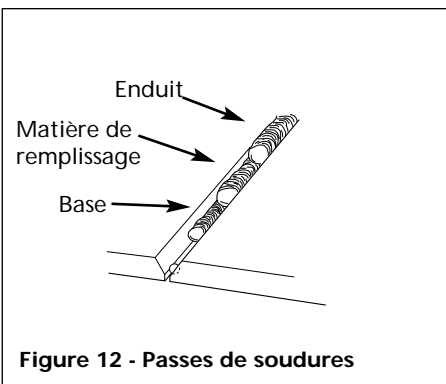


Figure 12 - Passes de soudures

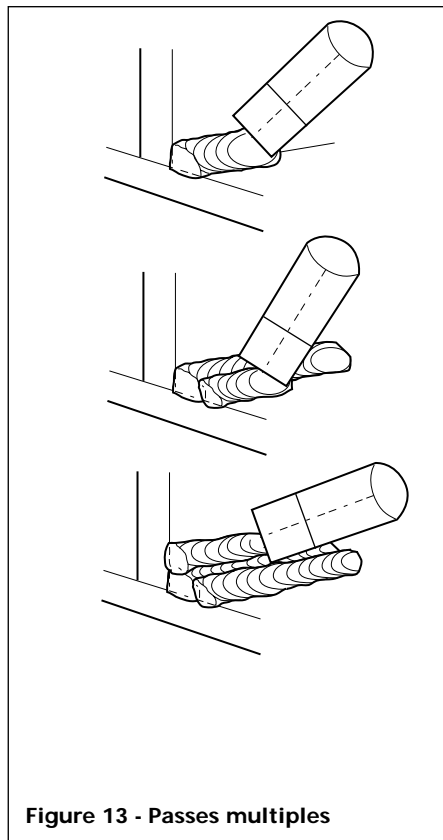


Figure 13 - Passes multiples

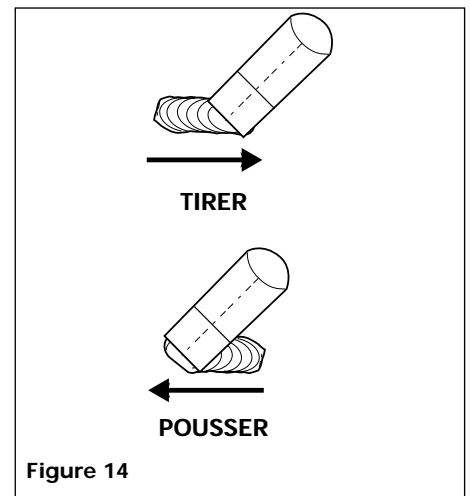


Figure 14

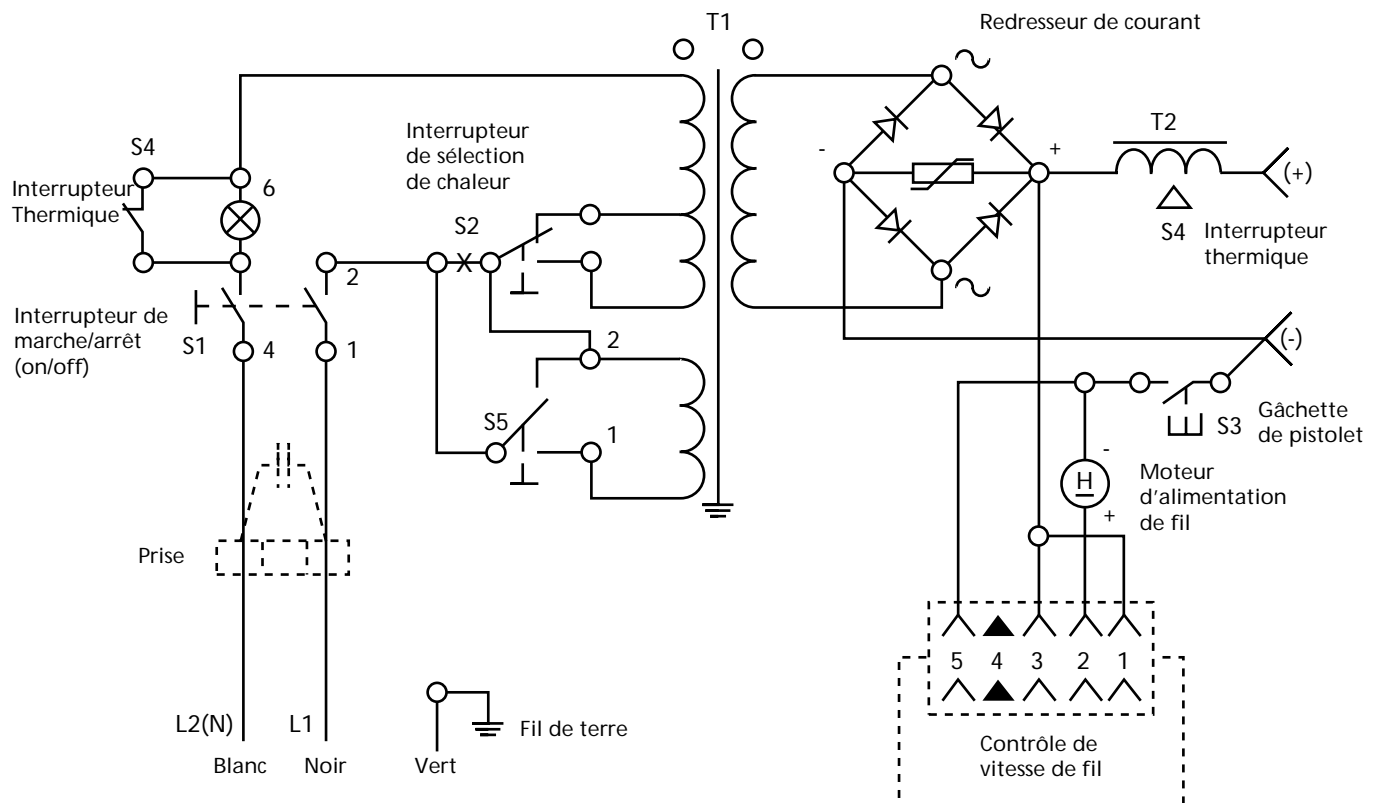


Figure 15 - Schéma d'Installation de Fils

Soudeur à l'Arc Alimenté en Fil

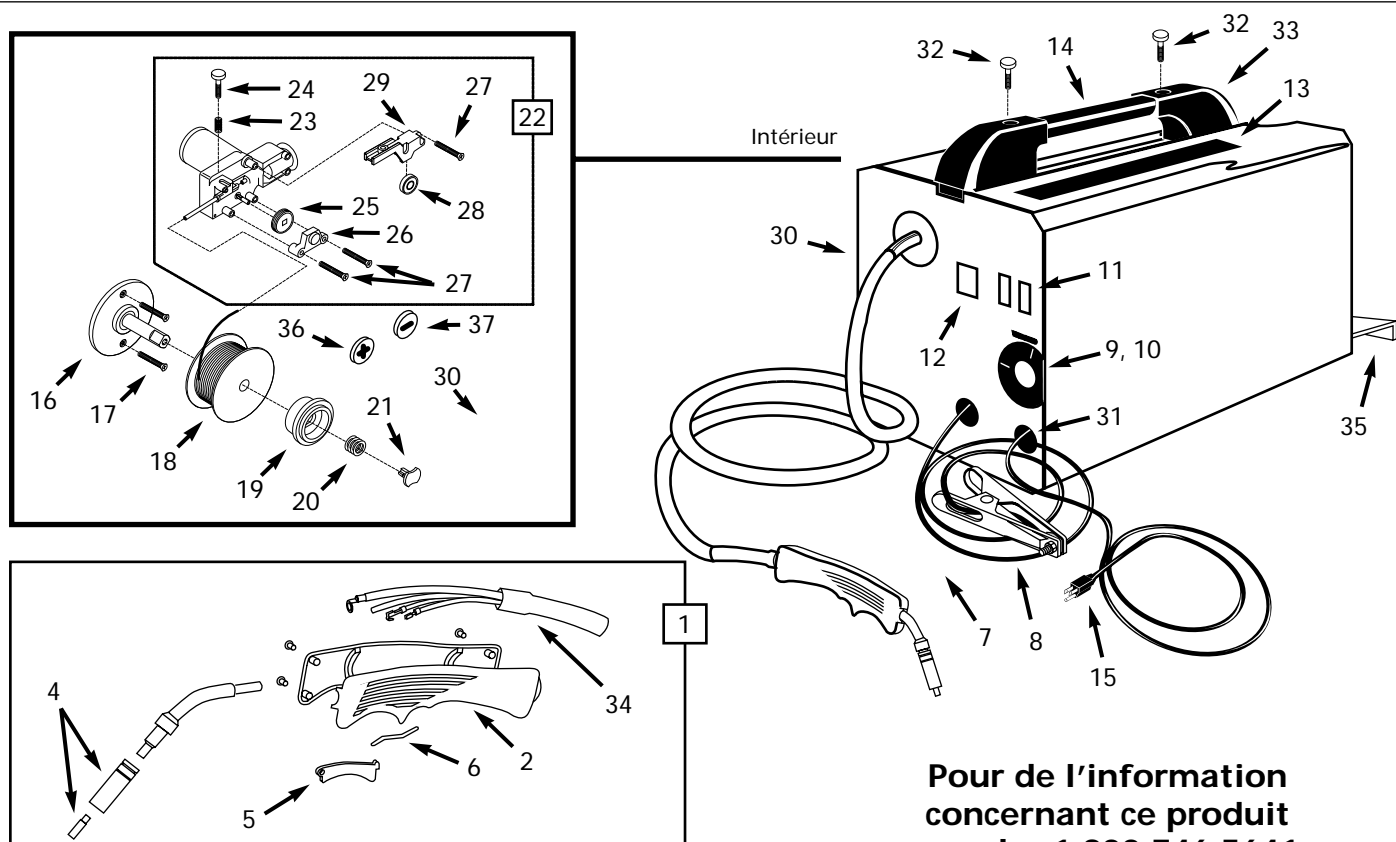
Pour des informations concernant ce produit,
composer 1-800-746-5641

Guide de Dépannage - Soudeur

Symptôme	Cause(s) Possible(s)	Mesure Corrective
Manque de puissance	<ol style="list-style-type: none">1. Facteur d'utilisation dépassé2. Raccordement à la pince de soudeur insuffisant3. Interrupteur défectueux4. Disjoncteur ou fusible sauté	<ol style="list-style-type: none">1. Permettre que le soudeur se refroidisse jusqu'à ce que la lampe de l'indicateur ON/OFF s'éteint2. S'assurer que tous les raccordements soient sûrs et que la surface d'attache soit propre3. Remplacer l'interrupteur4. Réduire la charge sur le circuit, rajuster le disjoncteur ou remplacer le fusible
Le fil s'emmêle au rouleau d'entraînement	<ol style="list-style-type: none">1. Bout du pistolet de taille incorrecte2. Chemise du pistolet obstruée ou endommagée3. Bout du pistolet obstrué ou endommagé4. Rouleau d'entraînement usé5. Tension insuffisante	<ol style="list-style-type: none">1. Utiliser un bout de taille correcte2. Nettoyer ou remplacer la chemise du pistolet3. Nettoyer ou remplacer le bout du pistolet4. Remplacer5. Serrer la vis de tension
La buse du pistolet arc à la surface de travail	Scorie dans la buse du pistolet	Nettoyer la scorie de la buse du pistolet
Pince de soudeur et/ou le câble deviennent chauds	Contact insuffisant	S'assurer que tous les raccordements soient sûrs et que la surface d'attache soit propre
Le fil ne s'avance pas	<ol style="list-style-type: none">1. Fil étranglé2. Plus de fil3. Tension insuffisante4. Chemise de fil usée5. Fusible sauté	<ol style="list-style-type: none">1. Recharger le fil2. Remplacer la bobine de fil3. Serrer les vis de tension si le fil patine4. Remplacer la chemise5. Remplacer la fusible sur la plaque de contrôle d'entraînement de fil dans le soudeur (1,6 A)

Guide de Dépannage - Soudures

Symptôme	Cause(s) Possible(s)	Mesure Corrective
Cordon de soudure trop mince par intervalles	<ol style="list-style-type: none">1. Vitesse de déplacement incompatible2. Réglage de chaleur de sortie trop bas	<ol style="list-style-type: none">1. Diminuer et maintenir une vitesse de déplacement constante2. Augmenter le réglage de chaleur de sortie
Cordon de soudure trop épais par intervalles	<ol style="list-style-type: none">1. Vitesse de déplacement lente et/ou incompatible2. Réglage de chaleur de sortie trop élevé	<ol style="list-style-type: none">1. Augmenter et maintenir une vitesse de déplacement constante2. Diminuer le réglage de chaleur de sortie
Enfoncements en lambeaux au bord de la soudure	<ol style="list-style-type: none">1. Vitesse de déplacement trop rapide2. Vitesse de fil trop rapide3. Réglage de chaleur de sortie trop élevé	<ol style="list-style-type: none">1. Diminuer la vitesse de déplacement2. Diminuer la vitesse de fil3. Diminuer le réglage de chaleur de sortie
Le cordon de soudure ne pénètre pas le métal commun	<ol style="list-style-type: none">1. Vitesse de déplacement incompatible2. Réglage de chaleur de sortie trop bas	<ol style="list-style-type: none">1. Diminuer et maintenir une vitesse de déplacement constante2. Augmenter le réglage de chaleur de sortie
Le fil crache et se colle	<ol style="list-style-type: none">1. Fil humide2. Vitesse de fil trop rapide	<ol style="list-style-type: none">1. Utiliser un fil sec et l'entreposer dans un endroit sec2. Diminuer la vitesse de fil



Pour de l'information
concernant ce produit
appeler 1-800-746-5641

Figure 16 - Pièces de rechange

No de Réf.	Description	No De Pièce	Qté
1	Assemblage de chalumeau et tuyau (Nos. 2-6 et 34 compris)	WC600300AV	1
2	Corps du chalumeau, avant et arrière	WC600201AV	1
3	Attache du crochet (pas indiqué)	WC600003AV	1
4	Jeu de buse/bout de contact	WT501000AJ	1
5	Bouton de gâchette	WC600202AV	1
6	Ressort de contact de chalumeau	WC600203AV	1
7	Pince de soudeur (cordon non-compris)	WC100000AV	1
8	Câble de soudage 6 AWG (6 pi)	*	1
9	Bouton de vitesse de fil	WC400201AV	1
10	Interrupteur de vitesse de fil	WC400200AV	1
11	Interrupteur de chaleur	WC400300AV	2
12	Interrupteur On/off	WC400000AV	1
13	Décalcomanie de sécurité	DK404000AV	1
14	Manche	WC300100AV	1
15	Cordon d'alimentation 14-3 AWG (6 pi) Type SJT	WC000100AJ	1
16	Broche de bobine	WC500300AV	1
17	Vis à métaux #10-32 x 0,5po	*	2
18	Fil fourré de flux diamètre 0,035 po (0,9 mm)	WE200500AJ	1
19	Adaptateur de bobine	WC500200AV	1

No de Réf.	Description	No De Pièce	Qté
20	Ressort de bobine	WC500101AV	1
21	Moyeu de serrage de bobine	WC500100AV	1
22	Assemblage d'entraînement (Nos. 23-28 compris)	WC500000AV	1
23	Ressort de tension	WC500003AV	1
24	Vis de tension	WC500002AV	1
25	Rouleau 0,6-0,9 mm (.024-.035 po)	WC500001AV	1
26	Couvercle de rouleau	WC500004AV	1
27	Vis #8-36 x 1,5 po	*	3
28	Bras articulé	WC500005AV	1
29	Galet pivoté	WC500007AV	1
30	Panneau de côté	WC700000AV	1
31	Soulagement de tension	WC102000AV	2
32	Vis mécanique M8 x 16 mm	*	2
33	Capuchons de manche	WC300101AV	2
34	Chemise	WC600008AV	1
35	Base de cylindre	WC703900AV	1
36	Capuchon de polarité (Rouge)	WC704000AV	1
37	Capuchon de polarité (Noir)	WC704100AV	1

* Quincaillerie ordinaire, disponible dans votre quartier ou de votre fournisseur de matériaux de soudage

Lexique de Termes de Soudage

CA ou Courant Alternatif - courant électrique qui change de direction périodiquement. Le courant à soixante cycles voyage dans les deux directions soixante fois par seconde.

Longueur de L'Arc - La distance du bout de l'électrode jusqu'au point où l'arc contacte la surface de travail.

Métal Commun -le matériel qui doit être soudé.

Joint en Bout - un joint entre deux pièces qui sont alignées approximativement dans le même plan.

Cratère - une flaque ou poche qui est produite quand l'arc contacte le métal commun.

CC ou Courant Continu - courant électrique d'une direction seulement. La polarité (+ ou -) détermine la direction du courant.

CC Polarité Inversée - quand le porte-électrode est branché au pôle positif du soudeur. La Polarité Inversée dirige plus de chaleur dans l'électrode plutôt que sur l'objet de travail pour l'utilisation sur les matériaux plus minces.

CC Polarité Ordinaire - quand le porte-électrode est branché au pôle négatif du soudeur. Plus de chaleur est dirigé vers l'objet de travail pour meilleur pénétration des matériaux épais.

Électrode -un fil en métal enrobé ayant approximativement la même composition du matériel qui doit être soudé.

Soudeur en Cordon - dimension approx. d'un triangle, profil en travers, qui uni les deux surfaces à angles droits en soudure à recouvrement, en T ou en coin.

Flux - un enduit qui produit un gaz protecteur autour de l'endroit de soudage. Ce gaz protège les métaux contre les polluants dans l'air.

Soudure À L'Arc Fourré de Flux (FCAW) - ou Sans-gaz est une méthode de soudage utilisée avec un soudeur à alimentation en fil. Le fil de soudage est tubulaire avec du flux à l'intérieur pour protection.

Soudure À L'arc À Gaz (GMAW) - ou MIG est une méthode utilisée avec un soudeur à alimentation en fil. Le fil est solide et un gaz inerte est utilisé pour protection.

Soudure À L'Arc À Gaz Tungstène (GTAW) - ou TIG est une méthode de soudage utilisée avec de l'équipement de soudage qui a une génératrice à haute fréquence. L'arc est crée entre un électrode tungstène non-usable et l'objet de travail. Un métal bouche-pores peut être utilisé.

Soudure à Recouvrement - un joint entre deux pièces en chevauchement.

Tension au Repos -la tension entre l'électrode et le collier de mise à la terre quand il n'y a pas de flux de courant (pas de soudage). Ceci détermine la vitesse auxquelle l'arc est amorcé.

Chevauchement - se produit quand le réglage d'ampérage est trop bas. En ce cas, le métal fondu tombe de l'électrode sans se fondre dans le métal commun.

Porosité - des soufflures, ou creux formés pendant la solidification de la soudure qui affaiblissent la soudure.

Pénétration -la profondeur que la chaleur affecte l'objet pendant la soudure. Une soudure de haute qualité est celle qui atteint 100% de pénétration. C'est à dire que l'objet de travail en entier a été chauffé et solidifié à nouveau. Les endroits affectés par la chaleur devraient être visibles sur l'inverse de la soudure.

Soudure À L'Arc Au Métal Enrobé (SMAW) - est une méthode de soudage qui utilise une électrode usable pour soutenir un arc. L'enduit de flux fondu sur l'électrode fournit la protection.

Scorie - une couche d'encrassement de flux qui protège la soudure des oxydes et autres polluants pendant le refroidissement de la soudure. Enlever la scorie après que la soudure s'est refroidie.

Bavure - particules métalliques volantes qui se refroidissent sur la surface de travail. La bavure peut être diminuée si vous utilisez un agent vaporisateur qui résiste la bavure sur l'objet de travail avant de souder.

Point de Soudure - une soudure utilisée pour tenir les pièces en alignement jusqu'à ce que les soudures actuelles soient complétées.

L'Angle de Déplacement -l'angle de l'électrode dans la ligne de soudure.Ceci varie entre 5° et 45° selon les conditions.

Joint en T - placer le bord d'un morceau de métal sur l'autre à un angle de 90°.

Caniveau - une condition résultant d'un ampérage trop haut qui produit une rainure dans le métal commun le long des deux côtés du cordon de soudure et sert à affaiblir la soudure.

Flaque de Soudure - un volume de métal fondu dans une soudure avant sa solidification.

Cordon de Soudage - une ou plusieurs couche(s) étroite de métal placé sur le métal commun pendant que l'électrode fond. La largeur du cordon de soudage est typiquement deux fois le diamètre de l'électrode.

Angle de Travail -l'angle de l'électrode de l'horizontal, mesuré à angle droit de la ligne de soudure.

Garantie Limitée 5-3-1

- Durée:** Le fabricant garantie la réparation, sans frais pour les pièces et main-d'oeuvre, le Soudeur, le Pistolet Soudeur, Câbles, qui se sont révélés défectueux en matière ou fabrication, pendant les durées suivantes après la date d'achat initial:
 - Pour 5 Ans: Le Transformateur de Soudeur et Redresseur
 - Pour 3 Ans: Le Soudeur En Entier (à l'exclusion des colliers, pistolet, câbles, ou accessoires emballés avec le soudeur)
 - Pour 1 An: Colliers De Mise À La Terre, Pistolet MIG, Porte-électrodes, Accessoires, et Câbles de Soudage (si applicable)
 - Garantie Accordée Par (Garant):**
Campbell Hausfeld/ A Scott Fetzer Company
100 Production Drive
Harrison, OH 45030
Telephone: (513)-367-4811
 - Bénéficiaire De Cette Garantie (Acheteur):** L'acheteur initial du produit Campbell Hausfeld .
 - Couverture De La Présente Garantie:** Défauts de matière et de fabrication qui se révèlent pendant la période de validité de la garantie. Cette garantie comprend le Soudeur, le Transformateur du Soudeur et Redresseur, Pistolet du Soudeur ou le Porte-Électrode, et câbles seulement.
 - La Présente Garantie Ne Couvre Pas:**
 - A. Les garanties implicites, y compris celles de commercialisabilité et D'ADAPTION À UNE FONCTION PARTICULIÈRE SONT LIMITÉES EN DURÉE À CETTE GARANTIE. Après cette durée, tout risques de perte, quoi que ce soit, devient la responsabilité de l'acheteur. Certaines Provinces n'autorisant pas de limitations de durée pour les garanties implicites. Les limitations précédentes peuvent donc ne pas s'appliquer.
 - B. TOUT DOMMAGE, PERTE OU DÉPENSE FORTUIT OU INDIRECT POUVANT RÉSULTER DE TOUT DÉFAUT, PANNE OU MAUVAIS FONCTIONNEMENT DU PRODUIT CAMPBELL HAUSFELD. Certaines Provinces n'autorisent pas l'exclusion ni la limitation des dommages fortuits ou indirects. La limitation ou exclusion précédente peut donc ne pas s'appliquer.
 - C. Les accessoires qui sont compris avec le produit et qui sont soumis à l'usure par l'usage normal; la réparation ou le remplacement de ces objets sont la responsabilité de l'acheteur. Ces pièces MIG comprennent, mais ne sont pas limités à: Pointes De Contact, Buses, Doublures de Pistolet, Rouleaux D'Entraînement, Nettoyant pour Fil en Feutre. Additionnellement, cette garantie ne comprend pas le dommage causé par le remplacement ou entretien prématuré des pièces USABLES précédentes.
 - D. Toute panne résultant d'un accident, d'une utilisation abusive, de la négligence ou d'une utilisation ne respectant pas les instructions données dans le(s) manuel(s) accompagnant le produit.
 - E. Service avant livraison, i.e. montage et ajustement.
 - Responsabilités Du Garant Aux Termes De Cette Garantie:** Réparation ou remplacement, au choix du Garant, des produits ou pièces qui se sont révélés défectueux pendant la durée de validité de la garantie.
 - Responsabilités De L'Acheteur Aux Termes De Cette Garantie:**
 - A. Livraison ou expédition du produit ou pièce Campbell Hausfeld à Campbell Hausfeld. Taux de frais , si applicable, sont la responsabilité de l'acheteur.
 - B. Utilisation et entretien du produit avec un soin raisonnable, ainsi que le décri(vent) le(s) mnel(s) d'utilisation.
 - Réparation ou Remplacement Effectué Par Le Garant Aux Termes De La Présente Garantie:** La réparation ou le remplacement sera prévu et exécuté en fonction de la charge de travail dans le centre d'entretien et dépendra de la disponibilité des pièces de rechange.
- Cette garantie limitée confère des droits précis. L'acheteur peut également jouir d'autres droits qui varient d'une Province à l'autre.

Sírvase leer y conservar estas instrucciones. Léalas con cuidado antes de intentar armar, instalar, operar o efectuar mantenimiento al producto descrito. Protéjase a sí mismo y a los demás observando la información de seguridad. ¡El no cumplir con estas instrucciones podría provocar lesiones personales y/o daños materiales! Conserve estas instrucciones para futura referencia.



Soldadora Por Arco Con Alimentación De Cable

Descripción

El WG2020 de Campbell Hausfeld es una máquina soldadora por arco con alimentación de cable, monofásica, con entrada de 115 voltios, de 70 amperios, equipada con un control de velocidad de cable infinito para seleccionar exactamente la correcta velocidad de la alimentación de cable requerida para las distintas condiciones de soldadura. Los componentes internos están protegidos por termostato.

Este sistema de soldadura ha sido diseñado para utilizarlo con el proceso de soldadura por arco con núcleo fundente (FCAW) o de soldadura por arco con metal de gas (GMAW). Tal como viene de fábrica, esta soldadora puede soldar con un cable de entre 0,6mm (0,024 pulg.) y 0,9mm (0,035 pulg.) de diámetro. Incluye una bobina de encendido de cable de núcleo fundente.

Desempaque

Todos los accesorios de la soldadora vienen dentro del compartimento de la alimentación de cable. Levante y retire la cubierta de la alimentación de cable para encontrar el asa, la abrazadera de trabajo, etc. Cuando desempaque, revise con cuidado cualquier daño que pueda haber ocurrido durante el transporte. Verifique que cualquier conexión, pernos flojos, etc., sean ajustados antes de poner la soldadora en servicio.

REQUERIMIENTOS DEL CIRCUITO

⚠ PRECAUCION

Este equipo

requiere un circuito dedicado de 115 voltios. Refiérase a la siguiente tabla para obtener el interruptor automático de circuito o capacidad de fusibles correctos. No haga funcionar otros aparatos, luces o herramientas en este circuito mientras opera este equipo. No se recomienda cordones de extensión. Los fusibles quemados e interruptores automáticos de circuitos desconectados pueden ser el resultado de no cumplir con esta recomendación.

COMPONENTES Y CONTROLS

1. Abrazadera de trabajo – conéctela a la pieza de trabajo.
2. Pistola de alimentación de cable
3. Cordón de alimentación – enchúfelo al tomacorriente de 115 voltios.
4. Interruptor On/Off (encendido/apagado) – se ilumina si el termostato se ha apagado automáticamente la unidad.
5. Control de velocidad de cable infinito – gira en sentido de las agujas del reloj para aumentar la velocidad del cable y en sentido contrario al de las agujas del reloj para disminuir la velocidad del cable.
6. Selector de calor – selecciona la energía para soldar. Hay cuatro selecciones posibles: baja 1, baja 2, alta 1 y alta 2.

Seguridad General

⚠ PELIGRO

Peligro indica

una situación de riesgo que, de ser ignorada, ocasionará la muerte o lesiones graves.

⚠ ADVERTENCIA

Advertencia indica

una situación de riesgo que, de ser ignorada, podría provocar la muerte o lesiones graves.

⚠ PRECAUCION

Precaución

indica una situación de riesgo que, de ser ignorada, puede provocar lesiones leves o moderadas. Asimismo, puede indicar un riesgo que sólo causará daños materiales.

AVISO: Aviso indica información adicional referente al producto o a su uso correcto.

Selector de Calor	Interruptor Automático de Circuito o Fusible de Baja Fundición	
Bajo	15 A	
Alto	20 A	

Vea la página 7 para obtener las instrucciones de cambio del cable de alimentación.

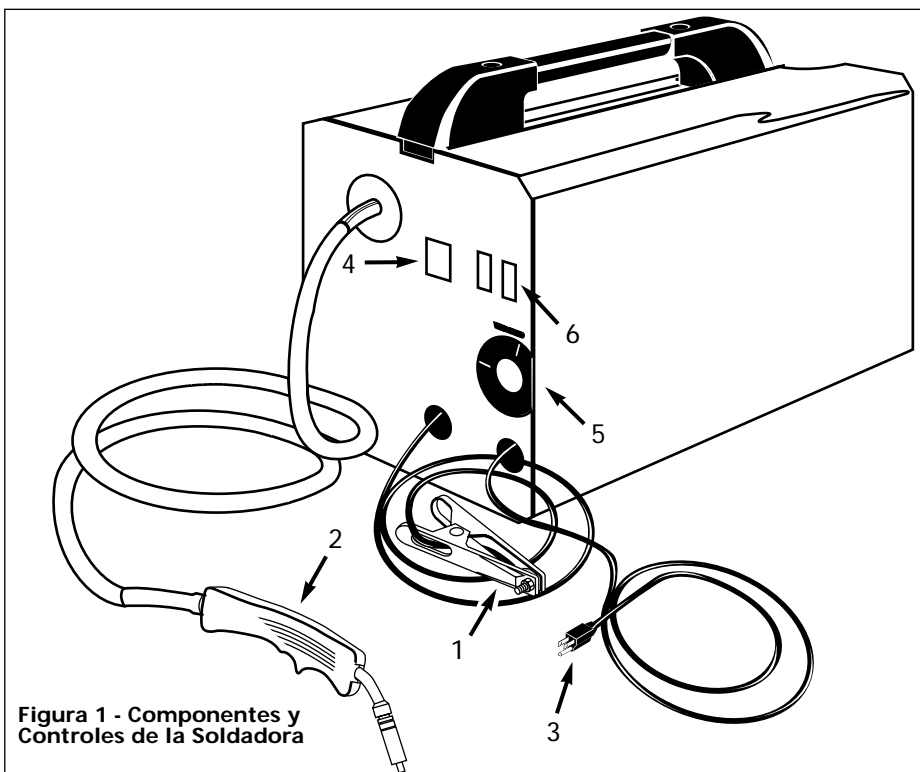


Figura 1 - Componentes y Controles de la Soldadora

Soldadora Por Arco Con Alimentación de Cable

Seguridad General (Continuación)

⚠ ADVERTENCIA

Siempre tenga un extinguidor disponible mientras realiza operaciones de soldadura por arco.



- Antes de poner en funcionamiento o dar mantenimiento a cualquier soldadora por arco, lea y entienda todas las instrucciones. El no seguir las precauciones de seguridad o instrucciones puede causar daños al equipo y/o graves lesiones personales o la muerte.
- Toda instalación, mantenimiento, reparación y operación de este equipo deberá ser realizado sólo por personas calificadas en conformidad con los códigos nacionales, estatales y locales.



⚠ ADVERTENCIA

El uso incorrecto de soldadoras por arco eléctricas pueden causar choque eléctrico, lesiones y muerte. Tome todas las precauciones descritas en este manual para disminuir la posibilidad de un choque eléctrico.



- Verifique que todos los componentes de la soldadora por arco estén limpios y en buen estado antes de poner la soldadora en funcionamiento. Asegúrese de que el aislamiento de todos los cables, de la pistola de alimentación de cable y del cordón de alimentación no esté dañado. Siempre repare o cambie los componentes dañados antes de poner la soldadora en funcionamiento. Siempre mantenga los paneles, blindajes, etc., en su lugar, cuando opere la soldadora por arco.
- Siempre lleve puesta ropa de protección seca, guantes de soldadura y zapatos aislados cuando opere la unidad.
- Siempre opere la soldadora en un área limpia, seca y bien ventilada. No opere la soldadora en áreas húmedas, mojadas, lluviosas o mal ventiladas.
- Asegúrese de que la pieza de trabajo esté bien sostenida y conectada a tierra antes de comenzar cualquier operación de soldadura por arco.
- Extienda el cable de soldadura retráctil antes del uso para evitar el calentamiento y daños en el aislamiento.

⚠ PELIGRO

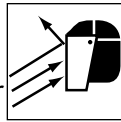
Nunca sumerja el cable o la pistola de alimentación de cable en agua. ¡Si la soldadora se moja

por cualquier razón, esté absolutamente seguro de que esté completamente limpia y seca antes de usarla!

- Siempre apague el equipo y desconecte el cordón de alimentación antes de retirar la unidad.
- Siempre fije el conector de la pieza primero.
- Verifique que la pieza de trabajo esté fijamente conectada a tierra.
- Siempre apague el equipo de soldadura por arco eléctrica cuando no se use, y corte cualquier cable en exceso de la pistola de alimentación de cable.
- Nunca permita que ninguna parte del cuerpo toque el cable de núcleo fundente y tierra o la pieza de trabajo conectada a tierra al mismo tiempo.
- Cualquier condición o posición de soldadura difícil puede ser eléctricamente peligrosa. Cuando se agache, arrodille o en elevaciones, asegúrese de aislar todas las partes conductoras, llevar puesta ropa de protección apropiada y tomar precauciones para evitar lesiones por caída.
- Nunca intente utilizar este equipo en ajustes de corriente o ciclos de trabajo mayores a los especificados en los rótulos del equipo.
- Nunca utilice una soldadora por arco eléctrica para deshielar tuberías congeladas.

⚠ ADVERTENCIA

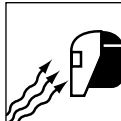
Las chispas que saltan y el metal caliente pueden causar lesiones. Mientras las soldadoras trabajan, pueden saltar desechos. Tome todas las precauciones descritas en este manual para reducir la posibilidad de lesiones por chispas que saltan y metal caliente.



- Utilice una careta de soldador o anteojos de seguridad con protectores laterales aprobados por ANSI cuando cincele o triture piezas de metal.
- Utilice tapones de oídos cuando suelde sobre la cabeza para evitar que la viruta o desechos caigan en los oídos.

⚠ ADVERTENCIA

Las operaciones de soldadura por arco eléctrica producen luz y calor intensos y rayos ultravioletas (UV). Esta luz intensa y rayos UV pueden causar lesiones a los ojos y la piel. Tome todas las precauciones descritas en este manual para reducir la posibilidad de lesiones a los ojos y la piel.



- Todas las personas que operan este equipo o que se encuentren en el área mientras el equipo está

funcionando deben utilizar un equipo de protección para soldadura, que incluye: casco o careta de soldadura con por lo menos lentes de sombra 10, ropa resistente al fuego, guantes de soldadura de cuero y protección completa de los pies.

⚠ PRECAUCION

El cable de soldadura está con corriente cada vez que la soldadora está encendida – ya sea que se haya tirado o no del gatillo.

⚠ ADVERTENCIA

Nunca mire las operaciones de soldadura por arco sin la protección para los ojos que se ha descrito anteriormente. Nunca utilice una lente de filtro de sombra que esté rajada, rota o por debajo del número 10. Advierta a las demás personas en el área que no miren al arco.

Nunca mire las

⚠ ADVERTENCIA

¡Las operaciones de soldadura por arco originan chispas y metal caliente a temperaturas que pueden ocasionar quemaduras graves! Utilice guantes y ropa de protección cuando realice cualquier operación de trabajo con metales. Tome todas las precauciones descritas en este manual para reducir la posibilidad de quemaduras de piel y ropa.



- Asegúrese de que todas las personas en el área de soldadura estén protegidas del calor, chispas y rayos ultravioletas. Utilice caretas de rostro adicionales y barreras resistentes al fuego según se requiera.
- Nunca toque las piezas de trabajo hasta que se hayan enfriado completamente.

⚠ ADVERTENCIA

¡El calor y las chispas producidas durante las operaciones de soldadura por arco y demás operaciones de trabajo de metales pueden encender materiales inflamables y explosivos! Tome todas las precauciones descritas en este manual para reducir la posibilidad de fuego y explosiones.



- Retire todo el material inflamable ubicado dentro de los 10,7 metros (35 pies) del arco de soldadura. Si no es posible retirarlo, cubra herméticamente el material inflamable con cubiertas contra incendios.
- No opere ninguna soldadora por arco eléctrica en áreas donde puedan haber vapores inflamables o explosivos.
- Tome precauciones para asegurar que las chispas que saltan y el calor no produzcan fuego en áreas ocultas, rajaduras, etc.

Seguridad General (Continuación)

⚠ ADVERTENCIA

¡Peligro de

incendio! No suelde en contenedores o tuberías que contengan o hayan contenido materiales inflamables o combustibles líquidos o gaseosos.

⚠ ADVERTENCIA



¡La soldadura por arco cerca de cilindros o contenedores tales como tanques o tambores puede causar una explosión si no han sido correctamente ventilados! Verifique que los cilindros o contenedores que van a ser soldados tengan un orificio de ventilación adecuado para que los gases que se expanden puedan ser liberados.

⚠ ADVERTENCIA



No respire los vapores producidos por la operación de soldadura por arco, pues éstos son peligrosos. Si no se puede ventilar correctamente el área de soldadura, asegúrese de utilizar un respirador de aire suministrado.

- Mantenga la cabeza y rostro fuera de los vapores de soldadura.
- Se produce vapores extremadamente tóxicos cuando se requiere metales galvanizados o metales enchapados en cadmio, metales que contienen zinc, mercurio o berilio. Tome las siguientes precauciones antes de realizar operaciones de soldadura por arco eléctrica en estos metales:
 - a. Retire el recubrimiento del metal de base.
 - b. Asegúrese de que el área de soldadura esté bien ventilada.
 - c. Utilice un respirador de aire suministrado.

⚠ ADVERTENCIA



El campo electromagnético generado durante la soldadura por arco puede interferir con la operación de diferentes dispositivos eléctricos y electrónicos tales como marcapasos. Las personas que utilizan este tipo de dispositivos deben consultar con su médico antes de realizar cualquier operación de soldadura por arco eléctrico.

- Coloque la pistola de cable y los cables de trabajo juntos, y asegúrelos con cinta cuando sea posible.
- Nunca enrolle los cables de la soldadura por arco alrededor de la unidad.
- Siempre coloque la pistola de cable y los conectores de la pieza al mismo lado de la unidad.

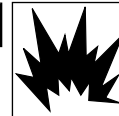
- La exposición a campos electromagnéticos durante la soldadura puede tener otros efectos contra la salud que se desconocen.

⚠ ADVERTENCIA

Siempre asegúrese

de que el área de soldadura sea segura y no haya peligros (chispas, llamas, metal incandescente o desechos) antes de retirarse. Asegúrese de que el equipo esté apagado y el cable en exceso cortado. Asegúrese de que los cables estén enrollados sin apretar y estén fuera del camino. Asegúrese de que todo el metal y desechos se hayan enfriado.

⚠ PELIGRO



Los cilindros pueden explotar si se dañan. Los cilindros de gas protector contienen gas bajo alta presión y si se dañan pueden explotar. Ya que los cilindros de gas son normalmente parte del proceso de soldadura, asegúrese de tratarlos con cuidado.

- Proteja los cilindros de gas comprimido del calor excesivo, sacudidas mecánicas y arcos.
- Instale y fije los cilindros en posición vertical, encadenándolos a un soporte estacionario o soporte de cilindros del equipo para evitar que se caigan o volteen.
- Mantenga los cilindros lejos de cualquier soldadura u otros circuitos eléctricos.
- Nunca permita que un electrodo de soldadura toque los cilindros.
- Utilice sólo los cilindros de gas protector, reguladores, mangueras y conexiones correctas para la aplicación determinada; conserve todas las piezas correctamente.
- Retire el rostro de la salida de válvula cuando abra la válvula del cilindro.
- Mantenga la tapa protectora en su lugar sobre la válvula, salvo cuando se esté utilizando el cilindro o esté conectado para utilizarlo.
- Lea y siga las instrucciones sobre cilindros de gas comprimido, equipo asociado y la publicación P-1 CGA enumeradas en las Normas de Seguridad.

⚠ PELIGRO

Nunca utilice

gases inflamables con soldadoras MIG. Sólo los gases inertes o no inflamables tales como dióxido de carbono, argón, helio o mezclas de uno o más de estos gases son adecuados para la soldadura MIG.

⚠ ADVERTENCIA

Nunca levante

los cilindros del suelo asíndolos de sus válvulas o tapas o con cadenas o eslingas.

NORMAS DE SEGURIDAD ADICIONALES

Norma ANSI Z49.1 de American Welding Society, 550 N.W. Le Jeune Rd. Miami, FL 33126

Normas de seguridad y salud OSHA 29 CFR 1910, del Superintendent of Documents, U.S. Government Printing Office, Washington, D.C. 20402

Normas para instalaciones eléctricas Norma NFPA 70, de National Fire Protection Association, Batterymarch Park, Quincy, MA 02269

Manipuleo seguro de gases comprimidos en cilindros

Folleto CGA P-1, de Compressed Gas Association, 1235 Jefferson Davis Highway, Suite 501, Arlington, VA 22202

Normas de seguridad para soldadura y corte

Norma CSA W117.2, de Canadian Standards Association, Standards Sales, 178 Rexdale Boulevard, Rexdale, Ontario, Canada M9W 1R3

Procesos de corte y soldadura

Norma NFPA 51B, de National Fire Protection Association, Batterymarch Park, Quincy, MA 02269

Prácticas Seguras para Protección Ocupacional y Educativa de Ojos y Rostro

Norma ANSI Z87.1, del American National Standards Institute, 1430 Broadway, New York, NY 10018

Refiérase a las Hojas de Datos de Materiales de Seguridad y las instrucciones del fabricante para metales, cable, recubrimientos y limpiadores.

Instalación

UBICACIÓN

La selección de la ubicación correcta puede aumentar considerablemente el rendimiento, confiabilidad y vida de la soldadora por arco.

- Para mejores resultados ubique la soldadora en un ambiente limpio y seco. El polvo y suciedad en la soldadora retienen humedad y aumentan el desgaste de las piezas móviles.
- Coloque la soldadora en un área con por lo menos 30,5 cm (12 pulgadas) de espacio de ventilación en la parte delantera y posterior de la unidad. Elimine cualquier obstrucción de este espacio de ventilación.
- Almacene el cable de núcleo fundente en un lugar limpio y seco con baja humedad para preservar el revestimiento del fundente.
- Utilice un receptáculo conectado correctamente a tierra para la

Soldadora Por Arco Con Alimentación de Cable

Instalación

soldadura y asegúrese que la soldadora esté conectada sólo al circuito de suministro de energía. Refiérase a la tabla de la página 1 para la capacidad correcta del circuito.

- No se recomienda el uso de un cordón de extensión para máquinas de soldadura por arco eléctricas. La caída de tensión en el cordón de extensión puede degradar considerablemente el rendimiento de la soldadora.

Ensamblaje

Todos los accesorios de soldadura para la soldadora se encuentran dentro del compartimento de la alimentación de cable. Levante y retire la cubierta de alimentación de cable y encontrará el asa, la abrazadera de trabajo, etc.

ENSAMBLAJE DEL ASA Y LA BASE

1. Introduzca el asa en las puntas plásticas como se muestra (Fig. 2).

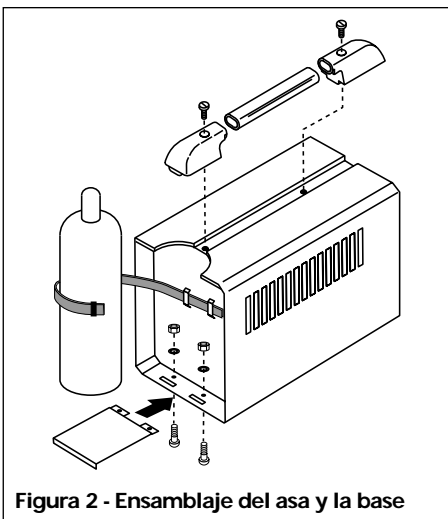


Figura 2 - Ensamblaje del asa y la base

2. Coloque el ensamblaje del asa en la soldadora alineando los dos orificios en las puntas plásticas con los orificios roscados en la cubierta de la soldadora.
3. Coloque arandelas y tornillos de ajuste por las puntas del asa hacia la cubierta.
4. Coloque la base del cilindro como se muestra (Fig. 2).

ABRAZADERA DE TRABAJO

1. Afloje los pernos hexagonales en la abrazadera de trabajo.
2. Inserte el cordón (rotulado como trabajo en el panel delantero de la soldadora) a través del asa de la

abrazadera, y pase el cable sin forro por debajo del bloque de la abrazadera. Ajuste el perno hexagonal asegurándose que el cable sin forro esté fijado correctamente (Figura 3).

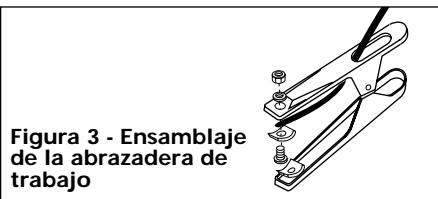


Figura 3 - Ensamblaje de la abrazadera de trabajo

INSTALACIÓN DEL CABLE

⚠ ADVERTENCIA *La energía de soldadura puede aplicarse a los terminales de salida, rodillo de alimentación, abrazadera de trabajo, conexión del cable de la pistola y cable de soldadura, incluso cuando el interruptor de la pistola no está activado. No toque estas piezas cuando la máquina soldadora esté encendida.*

NOTA: Antes de instalar el cable de soldadura, asegúrese de que:

- a. El diámetro del cable de soldadura coincida con la ranura en el rodillo de mando en el mecanismo de alimentación de cable.
- b. El cable sea compatible con la línea de diámetro de la manguera de la pistola.
- c. El cable coincida con la punta en el extremo de la pistola.

Una falta de correspondencia de cualquiera de estos puntos puede causar que el cable se corra y trabé.

1. Verifique que la unidad esté apagada y levante el panel de la soldadora donde encontrará el mecanismo de alimentación de cable.
2. Retire el seguro rápido de la bobina, empujándolo hacia dentro y girándolo 1/4 en sentido contrario al de las agujas del reloj. Luego retire la perilla, el resorte y el espaciador de la bobina.
3. Afloje el tornillo de tensión de la alimentación de cable en el mecanismo de mando. Esto permite la alimentación inicial de cable en el revestimiento de la pistola de forma manual. **Todavía no corte el cable suelto.** Instale el espaciador de la bobina, del resorte y de la perilla de seguro, empujando y girando la perilla 1/4 en el sentido de las agujas del reloj.

5. Sostenga el cable y corte el extremo del cable de la bobina. No permita que el cable se desenrolle. Asegúrese de que el extremo del cable esté derecho y sin rebabas.
6. Alimente el cable a través del tubo guía de la alimentación de cable, sobre la ranura en el rodillo de mando hacia el revestimiento de la pistola. Ajuste bien el tornillo de tensión de la alimentación de cable, sin hacerlo en exceso. Instale el panel exterior de la soldadora.

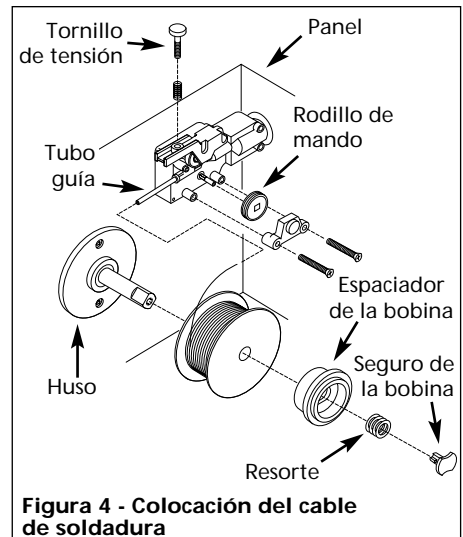


Figura 4 - Colocación del cable de soldadura

7. Retire la boquilla girando en el sentido de las agujas del reloj mientras jala, luego desenrosque la punta de contacto del extremo del soplete soldador (Ver Figura 5). Enchufe la soldadora en un receptáculo de suministro de energía correcto.
8. Encienda la soldadora y ajuste la velocidad de cable en 5. Active el interruptor de la pistola hasta que la alimentación del cable sobrepase el extremo del soplete. Apague la soldadora.
9. Deslice cuidadosamente la punta de contacto sobre el cable, y enrosque la punta en el extremo del soplete. Instale la boquilla girando en el sentido de las agujas del reloj mientras la empuja hacia el soplete (Ver Figura 5). Corte el cable aproximadamente 1/4 de pulgada del extremo de la boquilla.

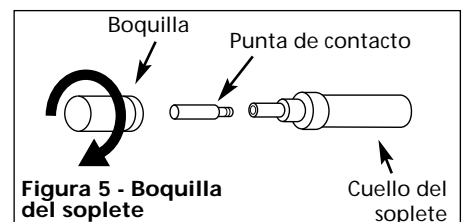


Figura 5 - Boquilla del soplete

Ensamblaje (Con't)

Marcas de la punta de contacto

Marca	Tamaño del cable
0,6 mm	0,024 pulg.
0,8 mm	0,030 pulg.
0,9 mm	0,035 pulg.

CICLO DE TRABAJO / PROTECCIÓN CON TERMOSTATO

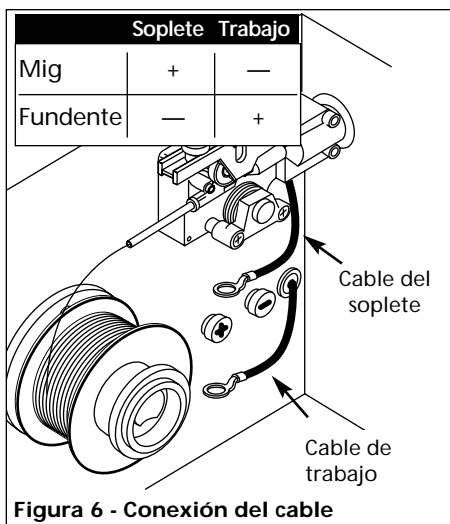
El ciclo de trabajo de la soldadora es el porcentaje del tiempo de soldadura real que puede ocurrir en un intervalo de diez minutos. Por ejemplo, a un ciclo de trabajo de 10%, la soldadura real puede ocurrir por un minuto, luego la soldadora debe enfriarse durante nueve minutos.

Los componentes internos de esta soldadora están protegidos contra recalentamiento con un interruptor térmico automático. Una luz amarilla se enciende en el panel delantero (interruptor de encendido/apagado) si se excede del ciclo de trabajo. Las operaciones de soldadura pueden continuar cuando la luz amarilla ya no está encendida.

POLARIDAD

Para cambiar entre cable fundente y cable MIG se debe cambiar la polaridad.

1. Retire la compuerta de la alimentación de cable.
2. Ubique los conectores de polaridad rojo (+) y negro (-) justo debajo del mecanismo de alimentación de cable (ver Figura 6).
3. Para la soldadura MIG con gas, conecte el cable del soplete del mecanismo de alimentación de cable al conector de polaridad rojo (+),



luego conecte el cable de trabajo al conector negro (-).

4. Para la soldadura de núcleo fundente, conecte el cable del soplete del mecanismo de alimentación de cable al conector de polaridad negro (-), luego conecte el cable de trabajo al conector rojo (+).

Preparación del gas protector

▲ PELIGRO

¡El manipu-

leo y mantenimiento incorrecto de los cilindros y reguladores de gas comprimido puede ocasionar lesiones graves o la muerte! Siempre asegure los cilindros de gas al soporte del tanque, a la pared u otro soporte fijo para evitar que los cilindros se caigan. Lea, entienda y siga todas las advertencias del gas comprimido y equipo en las instrucciones de seguridad.

AVISO: No se requiere gas protector si se utiliza soldadura de núcleo fundente.

TIPOS DE GAS

Existen tres tipos de gas que generalmente se utilizan para la soldadura por arco de metal de gas: 100% de argón, una mezcla de 75% de argón y 25% de dióxido de carbono (C25) o 100% de dióxido de carbono. Se recomienda la mezcla 75/25 para soldadura de acero general. Para soldadura de aluminio, utilice 100% de argón. Los cilindros de cualquiera de estos dos tipos los puede obtener en su punto de venta local de suministros para soldadura. Asegure el cilindro en su lugar en su máquina soldadora u otro soporte para evitar que se caiga.

REGULADOR

El regulador brinda una presión de gas protector y velocidad de circulación

constantes durante el proceso de soldadura. Cada regulador ha sido diseñado para ser utilizado con un gas específico o una mezcla de gases. El argón y la mezcla de argón utiliza el mismo tipo de filamento. El dióxido de carbono de 100% utiliza un tipo diferente de filamento. Su proveedor de gas de soldadura tiene a la venta un adaptador para cambiar entre ambos.

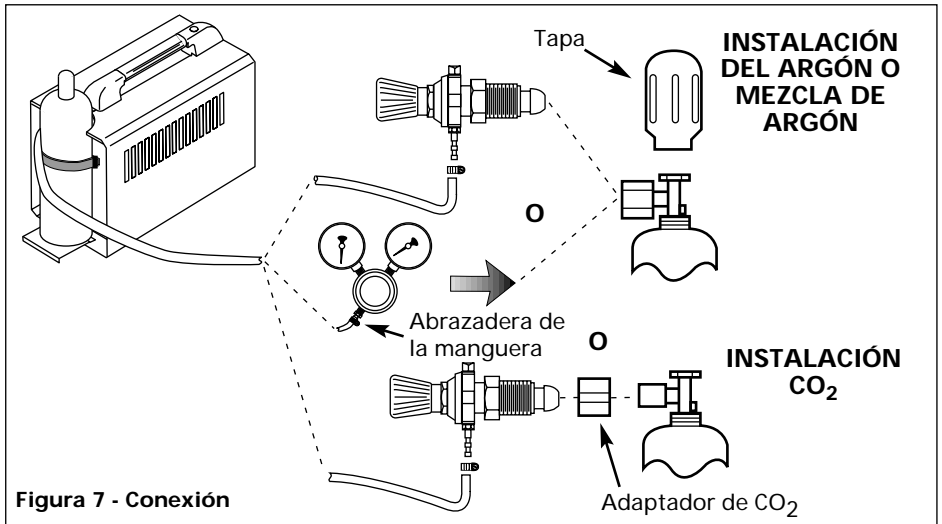
PROCEDIMIENTO DE CONEXIÓN

▲ ADVERTENCIA

El cilindro de gas se encuentra a alta presión. Apunte la salida del cilindro lejos de usted y de cualquiera que esté cerca antes de abrirlo.



1. Con el cilindro firmemente instalado, párese al lado de éste frente a la salida del cilindro, luego retire la tapa y abra la válvula ligeramente girándola en el sentido contrario al de las agujas del reloj. Cuando se haya liberado el gas del cilindro, cierre la válvula girando en el sentido de las agujas del reloj. Esto arrojará polvo o suciedad que se pueda haber acumulado en el asiento de la válvula.
2. Instale el regulador en la válvula del cilindro con la cara de los manómetros en posición vertical. Ajuste la tuerca del vástago firmemente a la válvula de gas.
3. Instale un extremo de la manguera de gas al conector en la parte posterior de la soldadora, y el otro extremo de la manguera al conector en el regulador, utilizando las abrazaderas de la manguera en cada conexión. Asegúrese de que la manguera del gas no esté retorcida o doblada.



Soldadora Por Arco Con Alimentación de Cable

Ensamblaje (Con't)

Preparación del gas protector

PROCEDIMIENTO DE CONEXIÓN (CON'T)

- Mientras está parado frente a la toma del cilindro, abra lentamente la válvula de éste. Verifique que no haya fugas en las conexiones.
- Tire del gatillo de la pistola para hacer que el gas fluya. Ajuste el regulador de gas al flujo máximo. Suelte el gatillo.
- Recuerde cerrar la válvula de gas cuando termine la soldadura.

⚠ PRECAUCIÓN

El cable de soldadura está con corriente cada vez que la soldadora está encendida - ya sea que se haya tirado o no del gatillo.

Operación

- Asegúrese de leer, entender y cumplir con todas las precauciones en la sección de Información general de seguridad. Asegúrese de leer toda la sección "Pautas de la soldadura" antes de utilizar este equipo.
- Apague la soldadora.
- Verifique que las superficies de los metales que van a ser unidos no tengan suciedad, óxido, pintura, aceite, costra u otros contaminantes. Estos contaminantes hacen difícil la soldadura y producen malas soldaduras.



⚠ ADVERTENCIA

Todas las personas que operan este equipo o que se encuentren en el área mientras el equipo está funcionando deben utilizar un equipo de protección para soldadura, el cual incluye: protección de ojos con la sombra apropiada, ropa resistente al fuego, guantes de soldadura de cuero y protección completa de los pies.

⚠ ADVERTENCIA

Si calienta, suelda o corta material galvanizado, enchapado en zinc o material enchapado en plomo o cadmio refiérase a la Información general de seguridad para instrucciones. Cuando se calientan estos materiales, se produce vapores altamente tóxicos.



- Conecte la abrazadera de trabajo a la pieza de trabajo o banco de trabajo (si es metal). Asegúrese de que esté fija. Evite superficies con pintura, barniz, corrosión o materiales no metálicos.

- Coloque el selector de calor en el panel delantero en el ajuste deseado.

AVISO: Estos ajustes son solamente pautas generales. El ajuste del calor puede variar de acuerdo a las condiciones y materiales de soldadura.

Espesor del material	Ajuste del calor
Indicador de 14 - 24	Bajo

Espesor mayor a indicador 14 Alto

- Gire el Control de Velocidad de Cable al número de ajuste 5 para empezar, y posteriormente ajústelo según se requiera luego de la soldadura de prueba.
- Enchufe el cordón de alimentación en el receptáculo de circuito correcto con la capacidad de circuito apropiada. (Ver los requerimientos del circuito en la primera página).
- Ponga el interruptor de ENCENDIDO /APAGADO (ON/OFF) de la soldadora en la posición ENCENDIDO (ON).
- Verifique que el cable se extienda 1/4 de pulg. desde la punta de contacto. De no ser así, apriete el gatillo para alimentar un cable adicional, suelte el gatillo y corte el cable en la longitud correcta.
- Coloque la pistola de alimentación de cable cerca de la pieza de trabajo, bájese el casco bajando la cabeza o colóquese la careta de mano, y tire del gatillo de la pistola. Ajuste el calor y velocidad del cable según se requiera.
- Cuando termine de soldar, apague la soldadora y guárdela correctamente.

Mantenimiento

⚠ ADVERTENCIA

Desconecte el suministro de energía y apague la máquina antes de inspeccionar o reparar cualquier componente. Mantenga siempre cerrada la cubierta del compartimiento del cable, salvo que se requiera cambiar el cable.

ANTES DE CADA USO

- Verifique el estado de los cables de soldadura y repare o cambie inmediatamente los cables con el aislamiento dañado.
- Verifique el estado del cordón de alimentación y repare o cambie inmediatamente el cordón si está dañado.

- Inspeccione el estado de la punta de la pistola y la boquilla. Retire cualquier desecho de soldadura. Cambie la punta de la pistola o la boquilla si está dañada.

CADA 3 MESES

⚠ ADVERTENCIA

No opere esta

máquina soldadora si está rajada o falta aislamiento en los cables de soldadura, la pistola de alimentación de cable o el cordón de alimentación.

- Cambie cualquier rótulo de seguridad ilegible en la soldadora.
- Utilice aire comprimido para retirar todo el polvo y pelusas de las aberturas de ventilación.
- Limpie la ranura del cable en el rodillo de mando. Retire el cable del mecanismo de alimentación, retire los tornillos de la cubierta del rodillo de mando. Utilice un cepillo de alambre pequeño para limpiar el rodillo de mando. Cámbielo si se encuentra desgastado o dañado.

Piezas Consumibles y De Desgaste

Las siguientes piezas requieren un mantenimiento de rutina:

- El rodillo de mando de la alimentación de cable.
- El revestimiento de la pistola - cámbielo si está desgastado.
- Boquilla y puntas de contacto
- Cable - Esta soldadora aceptará bobinas de 4 pulg. u 8 pulg. de diámetro. El cable de soldadura de núcleo fundente es susceptible a la humedad y se oxida con el tiempo; por lo tanto, es importante seleccionar el tamaño de bobina que se utilizará por un periodo de 6 meses. Para soldadura de acero dulce, se recomienda el acero macizo AWS ER70S6 o el acero de núcleo fundente AWS 71T-GS.

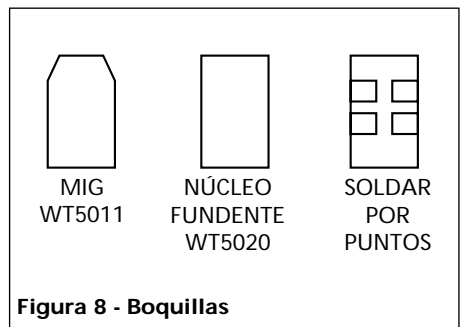


Figura 8 - Boquillas

Mantenimiento (Con't)

CÓMO CAMBIAR LOS TAMAÑOS DEL CABLE

Esta soldadora está configurada para cable de 0,9 mm (0,035 pulg.). Si se utiliza un tamaño de cable diferente, quizás se deba cambiar el rodillo de mando de la alimentación de cable y la punta de contacto. En el rodillo de mando, hay dos ranuras. La ranura pequeña es para cable de 0,6 mm (0,023 pulg.) y la otra ranura es para cable de 0,8-0,9 mm (0,030-0,035 pulg.). Retire la cubierta del rodillo y gire el rodillo de mando para elegir la ranura correcta (ver el detalle de las piezas). La punta de contacto también deberá coincidir con el diámetro del cable utilizado. El diámetro de la punta está marcado en la punta de contacto en

Cambio del cable de alimentación

1. Verifique que la soldadora esté APAGADA (OFF) y que el cordón de alimentación esté desconectado.
2. Retire la cubierta de la soldadora para poner el interruptor ENCENDIDO/APAGADO (ON/OFF) al descubierto.
3. Desconecte los cables del cordón de alimentación blanco y negro conectados al interruptor ENCENDIDO/APAGADO (ON/OFF).
4. Desconecte el cable del cordón de alimentación verde conectado al armazón de la soldadora.
5. Afloje el/los tornillo(s) de anclaje, y jale el cordón fuera del anclaje.
6. Instale el nuevo cordón en orden inverso.

pulgadas o milímetros. Para cable de aluminio, el tamaño de la punta de contacto es mayor. (Ejemplo, utilice una punta de 9 mm (0,035 pulg.) para cable de diámetro de 0,8 mm (0,030 pulg.).

Pautas de Soldadura

Información general

Esta clase de máquinas soldadoras puede utilizar el proceso de soldadura por arco de núcleo fundente (sin gas) o el proceso de soldadura por arco de metal de gas (MIG). La soldadura debe estar protegida (blindada) de contaminantes en el área mientras se funde. El proceso sin gas utiliza un cable tubular con un material fundente en el interior. El fundente crea un gas protector cuando se funde. El proceso MIG utiliza gas inerte para proteger la soldadura mientras se funde.

Cuando la corriente es producida por un transformador (máquina soldadora) y circula a través del circuito hacia el cable de soldadura, se forma un arco entre el extremo del cable de soldadura y la pieza de trabajo. Este arco funde el cable y la pieza de trabajo. El metal fundido del cable de soldadura fluye

hacia dentro del cráter y forma una soldadura con la pieza de trabajo tal como se muestra (Figura 9).

Principios básicos de la soldadura por arco

Cinco técnicas básicas afectan la calidad de la soldadura. Estas son: la selección del cable, el ajuste del calor, el ángulo de soldadura, la velocidad del cable y la velocidad de propagación. Es necesario entender estas técnicas para lograr soldaduras eficientes.

AJUSTE DEL CALOR

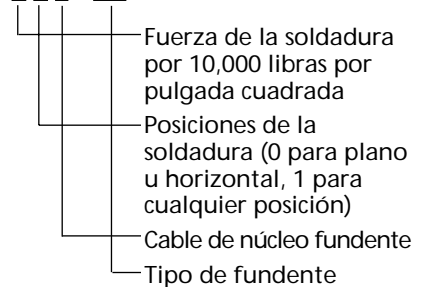
El calor correcto involucra el ajuste de la máquina soldadora en la selección requerida. El calor o el voltaje es regulado por un interruptor en la soldadora. El ajuste de calor utilizado depende del tamaño (diámetro) y tipo de cable, posición del cable y el espesor de la pieza de trabajo. Consulte las especificaciones enumeradas en la soldadora. Se sugiere que el soldador que trabaja con chatarra ajuste las selecciones y compare las soldaduras con la Figura 11.

TIPO Y TAMAÑO DE CABLE

La selección correcta del tipo de cable involucra una variedad de factores, tales como la posición de la soldadura, tipo de material de la pieza de trabajo, espesor y estado de la superficie a soldar. La Sociedad de Soldadura de los Estados Unidos (AWS) ha establecido algunos requerimientos para cada tipo de cable.

CABLE DE NÚCLEO FUNDENTE

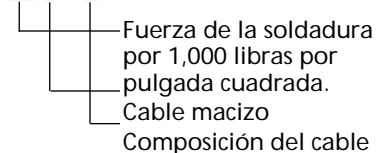
E - 7 0 T - GS



Se recomienda AWS E71T-GS o E71T-11 para esta soldadora.

CABLE MACIZO

ER - 70 S - 6



Se recomienda ER-70S6 para esta soldadora.

ÁNGULO DE SOLDADURA

El ángulo de soldadura es el ángulo con el que se sostiene la boquilla durante el proceso de soldadura. El uso del ángulo correcto garantiza la penetración correcta y la formación de perlas. A medida que sean necesarias diferentes posiciones de soldadura y uniones de soldadura, el ángulo de la boquilla se convierte en un factor cada vez más importante para obtener una soldadura satisfactoria. El ángulo de

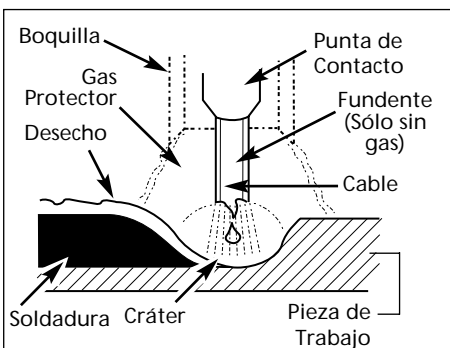


Figura 9 - Componentes de la Soldadura

Soldadora Por Arco Con Alimentación de Cable

Pautas de Soldadura (Continuación)

La soldadura involucra dos posiciones – ángulo de propagación y ángulo de trabajo. El ángulo de propagación es el ángulo en la línea de soldadura y puede variar entre 5° y 45° desde la vertical, dependiendo de las condiciones de soldadura.

El ángulo de trabajo es el ángulo desde la horizontal, medido en ángulos rectos a la línea de soldadura. Para la mayoría de aplicaciones, basta con un ángulo de propagación de 45° y un ángulo de trabajo de 45°. Para aplicaciones específicas, consulte el manual de soldadura por arco.

VELOCIDAD DEL CABLE

La velocidad del cable es controlada por la perilla en el panel delantero. La

velocidad necesita “sintonizarse” a la velocidad en que el cable se está fundiendo en el arco. La sintonización es una de las funciones más fundamentales en la soldadura de cable de alimentación. La sintonización se debe realizar en una pieza de metal usado del mismo tipo y espesor de la pieza que va a soldarse. Comience la soldadura con una mano “arrastrando” la boquilla de la pistola a través de la pieza de metal usado mientras que ajusta la velocidad del cable con la otra mano. Una velocidad demasiado baja causará pulverización y el cable se quemará en la punta de contacto. Una velocidad demasiado alta también causará un sonido de pulverización y el cable hará presión hacia la placa antes de fundirse. Un leve sonido de zumbido indicará que la velocidad del cable se ha sintonizado correctamente. Repita el procedimiento de sintonización cada vez que haya un cambio en el ajuste de calor, diámetro o tipo de cable, o tipo o espesor del material de la pieza de trabajo.

VELOCIDAD DE PROPAGACIÓN

La velocidad de propagación es la velocidad con la que se mueve el soplete a través del área de soldadura. Los factores, tales como el diámetro y tipo de cable de soldadura, amperaje, posición y espesor del material de la pieza de trabajo, afectan la velocidad de propagación necesaria para

completar una buena soldadura (ver Figura 11). Cuando la velocidad es demasiado rápida, la perla es delgada y las ondulaciones de la perla son en punta tal como se muestra. Cuando la velocidad es demasiado lenta, el metal de soldadura se acumula y la perla es alta y ancha.

REMOCIÓN DE LA ESCORIA

(SÓLO CABLE DE NÚCLEO FUNDENTE)

▲ ADVERTENCIA *Utilice anteojos de seguridad ANSI (Norma ANSI Z87.1) y ropa de protección cuando remueva la escoria. La escoria caliente que salta puede causar lesiones personales a cualquier persona en el área.*

Luego de completar la soldadura, espere que las secciones soldadas se enfíen. Un revestimiento protector llamado escoria cubre ahora la perla de soldadura que evita que los contaminantes en el aire reaccionen con el metal fundido. Una vez que la soldadura se enfria al punto que ya no está rojo incandescente, se puede retirar la escoria con una rebabadora. Golpee ligeramente la escoria con la rebabadora y rómpala aflojándola de la perla de soldadura. La limpieza final se realiza con un cepillo de alambre. Cuando realice varias pasadas de soldadura, retire el desecho antes de cada pasada.

POSICIONES DE SOLDADURA

Se pueden utilizar cuatro posiciones de soldadura básicas: plana, horizontal, vertical y sobre la cabeza. Soldar en la posición plana es más fácil que cualquiera de las otras porque se puede aumentar la velocidad de soldadura, la fundición tiende menos a correrse, se puede lograr una mejor penetración y el trabajo es menos agotador. La soldadura se realiza con el cable a un ángulo de propagación de 45° y un ángulo de trabajo de 45°.

Las demás posiciones requieren diferentes técnicas tales como una pasada de vaivén, pasada circular y golpecitos. Se requiere de un mayor nivel de experiencia para realizar estas soldaduras.

La soldadura sobre la cabeza es la posición menos deseable ya que es la más difícil y peligrosa. El ajuste del calor y la selección del cable variarán dependiendo de la posición.

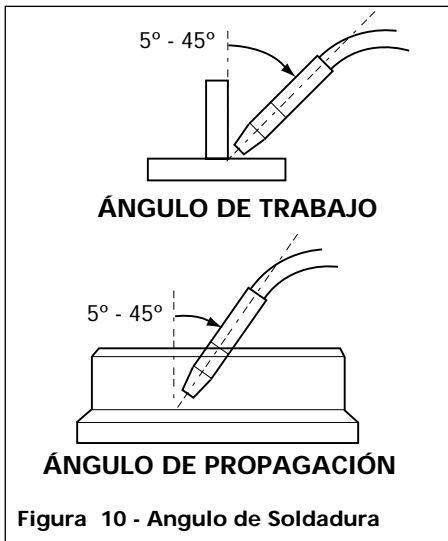


Figura 10 - Angulo de Soldadura

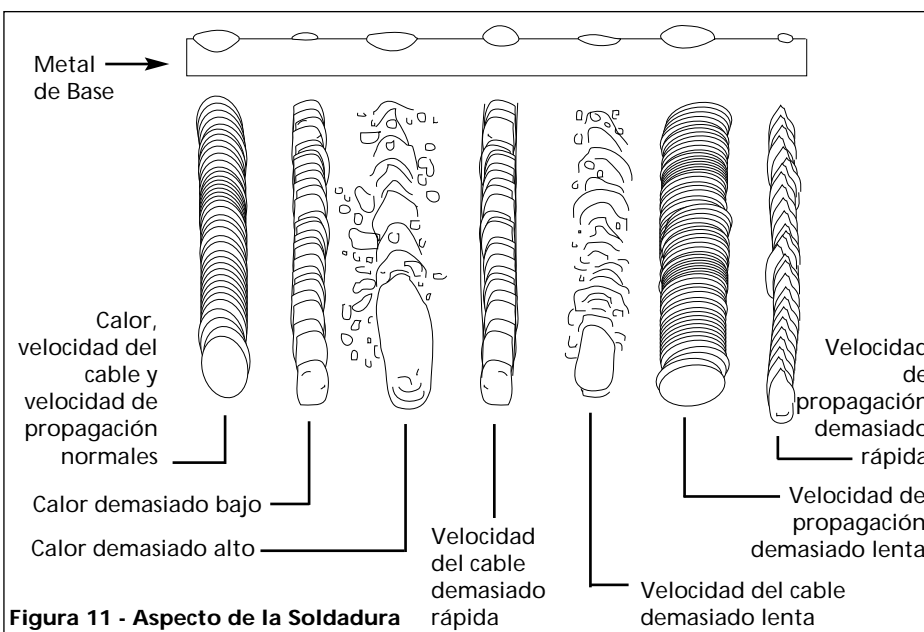


Figura 11 - Aspecto de la Soldadura

Pautas de Soldadura (Continuación)

Todos los trabajos deben realizarse en la posición plana si es posible. Para aplicaciones específicas, consulte un manual técnico de soldadura por arco.

PASADAS DE SOLDADURA

Algunas veces se requiere más de una pasada para rellenar la unión. La pasada de fondo es la primera, seguida por las pasadas de relleno y la pasada de cubierta. Si las piezas son gruesas, quizás sea necesario biselar los bordes que están unidos con un ángulo de 60°. Recuerde retirar el desecho antes de cada pasada para el proceso sin gas.

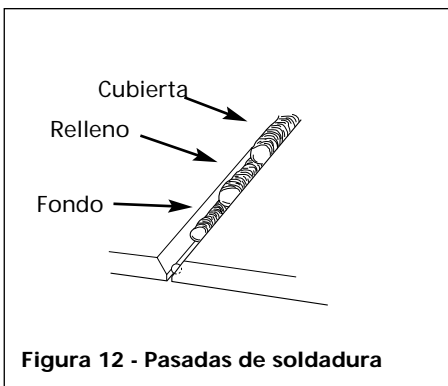


Figura 12 - Pasadas de soldadura

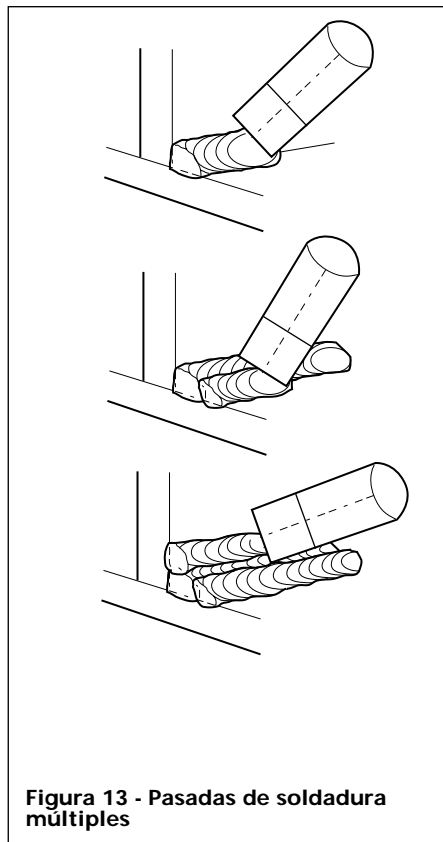


Figura 13 - Pasadas de soldadura múltiples

TÉCNICA DE EMPUJE VERSUS TÉCNICA DE JALADO

El tipo y espesor de la pieza de trabajo determina hacia qué lado apuntar la boquilla de la pistola. Para materiales delgados (indicador 18 para arriba) y todo aluminio, la boquilla deberá apuntar frente a la mezcla de soldadura y empujar esta mezcla a través de la pieza de trabajo. Para acero más grueso, la boquilla deberá apuntar hacia la mezcla para aumentar la penetración de la soldadura. A esto se le conoce como la técnica del revés o técnica de empuje. (ver Figura 14).

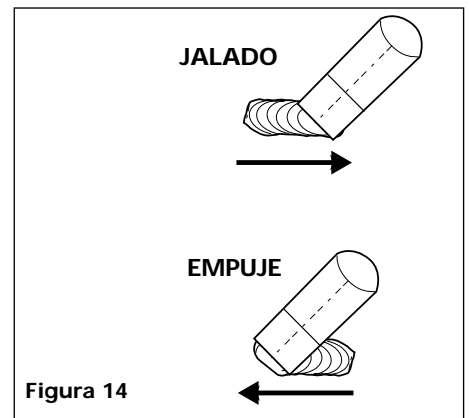


Figura 14

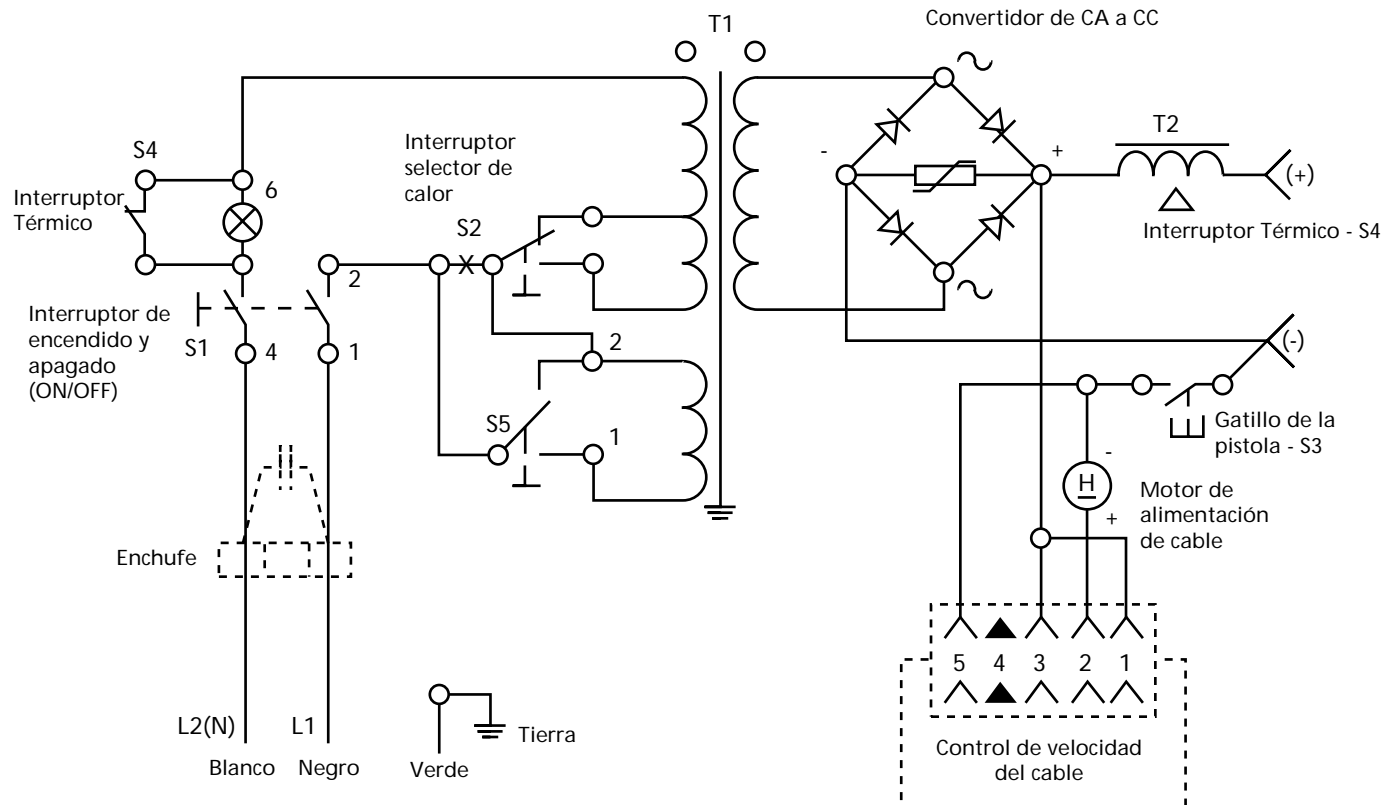


Figura 15 - Esquema de la soldadura

Soldadora Por Arco Con Alimentación de Cable

Para información acerca de este producto, llame al 1-800-746-5641

Table de Detección y Solución de Problemas - soldadora

Síntoma	Causas Posibles	Medida Correctiva
No hay energía	<ol style="list-style-type: none"> 1. Se ha excedido el ciclo de trabajo 2. Mala conexión de la abrazadera de trabajo 3. Interruptor ENCENDIDO / APAGADO (ON/OFF) defectuoso 4. Se ha quemado el fusible o el interruptor se ha desconectado 	<ol style="list-style-type: none"> 1. Deje que la soldadora se enfríe hasta que la luz del interruptor ENCENDIDO/APAGADO (ON/OFF) se apague 2. Asegúrese que todas las conexiones estén bien aseguradas y la superficie de conexión esté limpia 3. Cambie el interruptor 4. Reduzca la carga del circuito, vuelva a conectar el interruptor o cambie el fusible
El cable se enreda en el rodillo de mando	<ol style="list-style-type: none"> 1. Tamaño erróneo de la punta de la pistola 2. El revestimiento de la pistola está trabado o dañado 3. La punta de la pistola está trabada o dañada 4. El rodillo de alimentación está desgastado 5. No hay suficiente tensión 	<ol style="list-style-type: none"> 1. Utilice la punta de la pistola del tamaño correcto 2. Limpie o cambie el revestimiento de la pistola 3. Limpie o cambie la punta de la pistola 4. Cámbielo 5. Ajuste el tornillo de tensión
La boquilla de la pistola arquea la superficie de trabajo	Hay escoria dentro de la boquilla de la pistola	Limpie la escoria de la boquilla de la pistola
La abrazadera de trabajo y/o el cable se calienta	Mal contacto	Asegúrese que todas las conexiones estén bien aseguradas y la superficie de conexión esté limpia
El cable no alimenta	<ol style="list-style-type: none"> 1. El cable está trabado 2. No hay cable 3. No hay suficiente tensión 4. El revestimiento del cable está desgastado 5. Se ha quemado el fusible 	<ol style="list-style-type: none"> 1. Cargue más cable 2. Cambie la bobina del cable 3. Ajuste los tornillos de tensión si el cable se está corriendo 4. Cambie el revestimiento 5. Cambie el fusible en el tablero de control de alimentación de cable dentro de la soldadora (1,6 Amp)

Table de Detección y Solución de Problemas - Soldadora

Síntoma	Causas Posibles	Medida Correctiva
La perla es irregularmente demasiado delgada	<ol style="list-style-type: none"> 1. La velocidad de propagación es inconsistente 2. El ajuste de calor está demasiado bajo 	<ol style="list-style-type: none"> 1. Disminuya y mantenga una velocidad de propagación constante 2. Aumente el ajuste de calor
La perla es irregularmente demasiado gruesa	<ol style="list-style-type: none"> 1. La velocidad de propagación es demasiado baja/inconsistente 2. El ajuste de calor está demasiado alto 	<ol style="list-style-type: none"> 1. Aumente y mantenga una velocidad de propagación constante 2. Reduzca el ajuste de calor
Depresiones irregulares al borde de la soldadura	<ol style="list-style-type: none"> 1. La velocidad de propagación es demasiado rápida 2. La velocidad del cable es demasiado rápida 3. El ajuste de calor está demasiado alto 	<ol style="list-style-type: none"> 1. Disminuya la velocidad de propagación 2. Disminuya la velocidad del cable 3. Reduzca el ajuste de calor
La perla de soldadura no penetra el metal de base	<ol style="list-style-type: none"> 1. La velocidad de propagación es inconsistente 2. El ajuste de calor está demasiado bajo 	<ol style="list-style-type: none"> 1. Disminuya y mantenga la velocidad de propagación constante 2. Aumente el ajuste de calor
El cable se pulveriza y pega	<ol style="list-style-type: none"> 1. El cable está húmedo 2. La velocidad del cable es demasiado rápida 	<ol style="list-style-type: none"> 1. Utilice un cable seco y almacénelo en un lugar seco 2. Reduzca la velocidad del cable

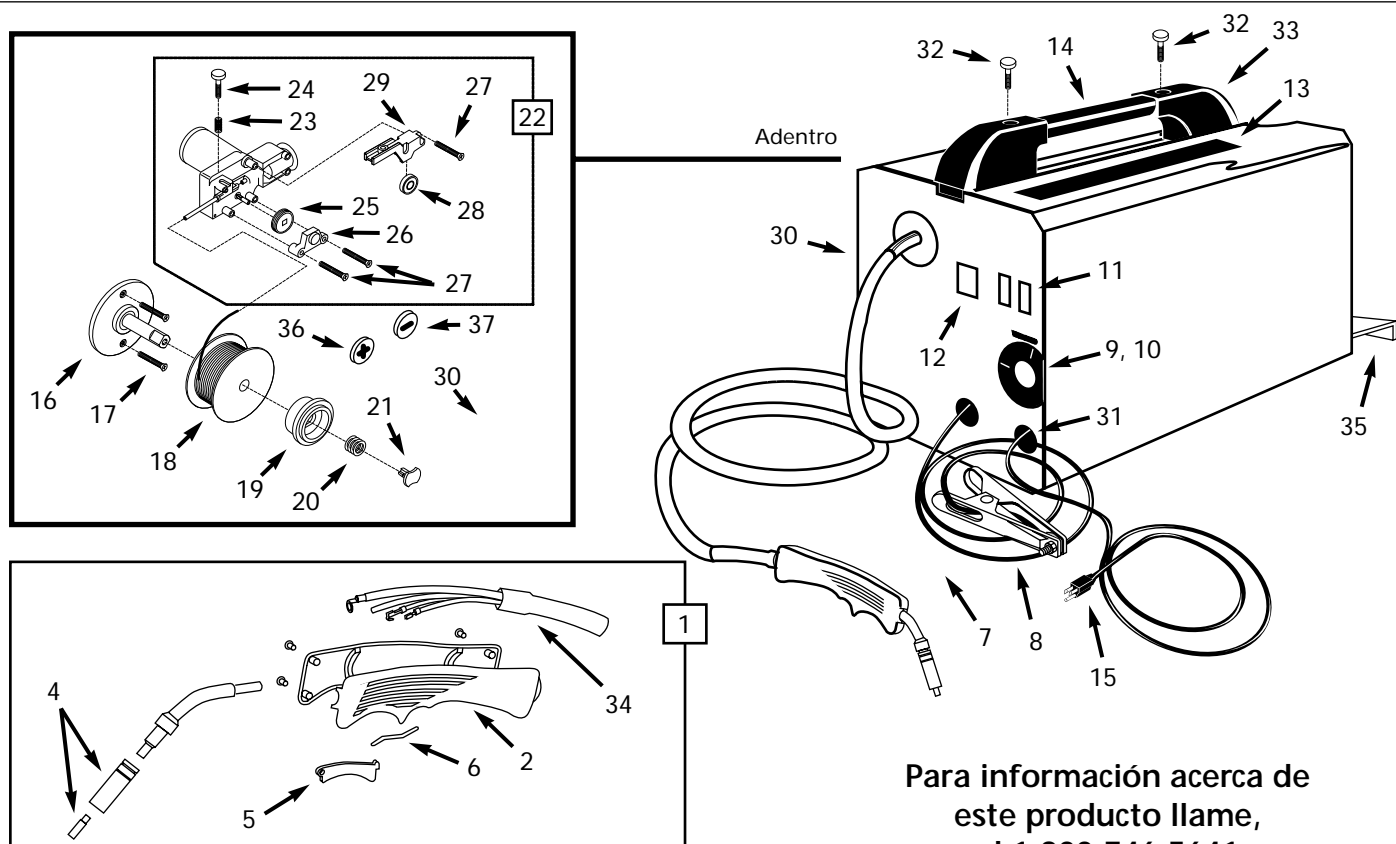


Figura 16 - Piezas de Repuesto

No de Ref.	Descripción	No De Componente	Cant
1	Ensamblaje de soplete y manguera (incluye Núm. 2-6 y 34)	WC600300AV	1
2	Cuerpo, parte delantera y posterior del soplete	WC600201AV	1
3	Presilla sujetadora (no se muestra)	WC600003AV	1
4	Juego de punta de contacto/boquilla	WT501000AJ	1
5	Perilla de gatillo	WC600202AV	1
6	Resorte de contacto del soplete	WC600203AV	1
7	Abrazadera de trabajo (no incluye cordón)	WC100000AV	1
8	Cable de soldadura 6 AWG 1,83 m (6 pies)	*	1
9	Perilla de velocidad del cable	WC400201AV	1
10	Interruptor de velocidad del cable	WC400200AV	1
11	Interruptor de calor	WC400300AV	2
12	Interruptor Encendido/Apagado	WC400000AV	1
13	Calcomanía de seguridad	DK404000AV	1
14	Asa	WC300100AV	1
15	Cordón de alimentación 14-3 AWG 1,83 m (6 pies) tipo SJT	WC000100AJ	1
16	Huso de la bobina	WC500300AV	1
17	Tornillos de metal de cabeza troncocónica No.10-32 x 0,5 pulg.	*	2
18	Núcleo fundente del cable 0,9 mm (0,035 pulg.) de diámetro	WE200500AJ	1

No de Ref.	Descripción	No De Componente	Cant
19	Adaptador de la bobina	WC500200AV	1
20	Resorte de la bobina	WC500101AV	1
21	Cubo de seguridad de la bobina	WC500100AV	1
22	Ensamblaje de plataforma de mando (incluye Núm. 23-28)	WC500000AV	1
23	Resorte de tensión	WC500003AV	1
24	Tornillo de tensión	WC500002AV	1
25	Rodillo, 0,6-0,9mm (0,024 - 0,035 pulgadas)	WC500001AV	1
26	Cubierta del rodillo	WC500004AV	1
27	Tornillo de cabeza troncocónica No. 8-36 x 1,5 pulg.	*	3
28	Brazo oscilante	WC500005AV	1
29	Rodillo del brazo oscilante	WC500007AV	1
30	Panel lateral	WC700000AV	1
31	Anclaje	WC102000AV	2
32	Tornillo de la máquina M8 x 16mm	*	2
33	Tapas del asa	WC300101AV	2
34	Revestimiento	WC600008AV	1
35	Base del cilindro	WC703900AV	1
36	Tapa de polaridad (roja)	WC704000AV	1
37	Tapa de polaridad (negra)	WC704100AV	1
*	Artículo de ferretería estándar disponible en ferreterías o tiendas de productos de soldadura locales.		

Glosario de Términos de Soldadura

Corriente alterna o CA – corriente eléctrica que invierte periódicamente la dirección. La corriente de ciclo de sesenta viaja en ambas direcciones, sesenta veces por segundo.

Longitud del arco - la distancia entre el extremo del electrodo y la punta donde el arco hace contacto con la superficie de trabajo.

Metal de base – el material que va a ser soldado.

Unión plana – una unión entre las dos partes alineadas aproximadamente en el mismo plano.

Cráter – charco de metal fundido o bolsillo que se forma cuando el arco se pone en contacto con el metal de base.

Corriente continua o CC – corriente eléctrica que circula solamente en una dirección. La polaridad (+ o -) determina en qué dirección está circulando la corriente.

Polaridad inversa de CC – ocurre cuando el sujetador del electrodo está conectado al polo positivo de la máquina soldadora. La polaridad inversa dirige más calor para fundir al electrodo que a la pieza de trabajo. Se utiliza en materiales más delgados.

Polaridad directa de CC - ocurre cuando el sujetador del electrodo está conectado al polo negativo de la máquina soldadora. Con la polaridad directa se dirige más calor hacia la pieza de trabajo para una mejor penetración en materiales más gruesos.

Electrodo – un alambre de metal revestido que tiene aproximadamente la misma composición que el material que va a ser soldado.

Soldadura en ángulo – aproximadamente un triángulo en sección transversal, que une dos superficies con ángulos rectos en cada uno en una unión de solapa, en T o de ángulo.

Fundente - un material, que al calentarse, emite un gas que cubre el área donde va a soldar. Este gas protege los metales que va a soldar contra las impurezas presentes en el aire.

Soldadura por arco de núcleo fundente (FCAW) – también llamado Sin gas, es un proceso de soldadura utilizado con una máquina soldadora de alimentación de cable. El cable de soldadura es tubular que contiene dentro material fundente como protección.

Soldadura por arco de metal de gas (GMAW) – también llamado MIG, es un proceso de soldadura utilizado con una máquina soldadora de alimentación de cable. El cable es sólido y se utiliza un gas inerte como protección.

Soldadura por arco de tungsteno de gas (GTAW) – también llamado TIG, es un proceso de soldadura utilizado con un equipo soldador con un generador de alta frecuencia. El arco se crea entre un electrodo de tungsteno no consumible y la pieza de trabajo. El metal de relleno se puede o no utilizar.

Unión de solapa – una unión entre dos partes superpuestas en planos paralelos.

Voltaje de circuito abierto (OCV) – el voltaje entre el electrodo y la abrazadera de trabajo de la máquina soldadora, cuando no circula corriente (no suelda). El OCV determina cuán rápido se golpea el arco.

Superposición – ocurre cuando el amperaje está configurado demasiado bajo. En este caso, el metal fundido cae del electrodo sin realmente fundir el metal de base.

Porosidad – bolsillos o cavidades de gases, formados durante la solidificación. Debilitan la soldadura.

Penetración – la profundidad en la pieza de trabajo que ha sido afectada por el calor por el arco durante el proceso de soldadura. Una buena soldadura logra 100% de penetración, lo cual significa que todo el espesor de la pieza de trabajo ha sido calentado y resolidificado. El área afectada por el calor se debe ver fácilmente al lado opuesto de la soldadura.

Soldadura por arco de metal blindado (SMAW) – también llamada Soldadura con Varilla, es un proceso de soldadura que utiliza un electrodo consumible para sostener el arco. El blindaje se obtiene por la fundición del revestimiento del fundente en el electrodo.

Escoria – una capa de hollín de fundente que protege la soldadura de los óxidos y otros contaminantes mientras la soldadura se está solidificando (enfriando). La escoria debe retirarse luego de que la soldadura haya enfriado.

Salpicadura – partículas de metal que saltan de la soldadura, que se enfrían y endurecen en la superficie de trabajo. La salpicadura se puede disminuir aplicando un aerosol resistente a salpicaduras en la pieza de trabajo antes de soldar.

Soldadura por puntos – soldadura hecha para sostener las partes en la alineación correcta hasta realizar las soldaduras finales.

Ángulo de propagación – el ángulo del electrodo en la línea de soldadura. Varía entre 5° y 45° dependiendo de las condiciones de soldadura.

Unión en T – realizada al colocar el borde de una pieza o metal en la superficie de la otra pieza a aproximadamente un ángulo de 90°.

Garantía Limitada 5-3-1

1. **Duración:** El fabricante garantiza que reparará, sin costo alguno, por piezas o mano de obra, la soldadora, pistola de soldadura o cables que demuestren estar defectuosos, en material o mano de obra, durante el(los) siguiente(s) periodo(s) a partir de la fecha de compra al por menor original:
 - Por 5 años: el transformador y rectificador de la soldadora.
 - Por 3 años: toda la soldadora (salvo las abrazaderas, pistola de soldadura, sujetador de electrodo, cables o accesorios embalados con la soldadora).
 - Por 1 año: las abrazaderas de soldadura, pistola MIG, sujetador de electrodo, accesorios y cables de soldadura (como sea pertinente).
2. **¿Quién emite esta garantía? (Garante)**
Campbell Hausfeld / A Scott Fetzer Company
100 Production Drive
Harrison, OH 45030
Teléfono: (513)-367-4811
3. **¿Quién recibe esta garantía? (Comprador):** El comprador original del producto Campbell Hausfeld.
4. **¿Qué es lo que cubre esta garantía?:** Defectos de material y mano de obra que ocurran dentro del periodo de duración de la garantía. Esta garantía se extiende solamente a la soldadora, el transformador y rectificador de la soldadora, pistola de soldadura o sujetador de electrodo y cables.
5. **¿Qué es lo que no cubre esta garantía?:**
 - A. Las garantías implícitas, incluyendo las de comerciabilidad e IDONEIDAD PARA UN FIN PARTICULAR, SE LIMITAN A LA DURACIÓN DE ESTA GARANTÍA EXPRESA. Luego de este periodo, todos los riesgos de pérdida, por cualquier razón, corren por cuenta del comprador. Algunos estados no permiten la limitación de la duración de una garantía implícita, de modo que estas restricciones tal vez no rijan para Ud.
 - B. CUALQUIER PERDIDA, DAÑO O GASTO INCIDENTAL, INDIRECTO O RESULTANTE QUE PUEDA DERIVARSE DE CUALQUIER DEFECTO, FALLA O MAL FUNCIONAMIENTO DEL PRODUCTO DE CAMPBELL HAUSFELD. Algunos estados no permiten la exclusión o limitación de los daños incidentales o derivados, por lo que esta restricción tal vez no rija para Ud.
 - C. Esta garantía no se aplica a cualquier accesorio incluido en el producto que está sujeto a desgaste por uso; la reparación o cambio de este accesorio correrá por cuenta del propietario. Estos artículos MIG incluyen, sin sentido limitativo, a las puntas de contacto, boquillas, revestimientos de pistola, rodillos de mando, limpiador de cable de fieltro. Además, esta garantía no se extiende a los daños causados por el cambio o mantenimiento fuera de tiempo de cualquiera de las piezas CONSUMIBLES enumeradas anteriormente.
 - D. Cualquier falla que resulte de un accidente, mal uso del comprador, negligencia u omisión en operar los productos de acuerdo a las instrucciones provistas en el manual del propietario suministrado con el producto.
 - E. Servicio de pre-entrega, es decir, ensamblaje y ajuste.
7. **Responsabilidades del garante bajo esta garantía:** Reparar o reemplazar, a opción del garante, los productos o componentes que hayan funcionado mal dentro del periodo de garantía.
8. **Responsabilidades del comprador bajo esta garantía:**
 - A. Entregar o enviar el producto o componente de Campbell Hausfeld al Centro de Servicio Autorizado de Campbell Hausfeld más cercano. Los costos de envío, si los hubiera, serán por cuenta del comprador.
 - B. Hacer uso de un cuidado razonable en la operación y mantenimiento de los productos descritos en el manual del propietario.
9. **¿Cuándo efectuará el garante la reparación o reemplazo bajo esta garantía?:** La reparación o reemplazo se programará y efectuará de acuerdo al flujo normal de trabajo en la localidad de servicio y dependiendo de la disponibilidad de repuestos.

Esta garantía limitada le proporciona a Ud. derechos legales específicos y es probable que Ud. tenga otros derechos, los cuales varían de un estado a otro.